

**SENSiA**

# REACH TRUCKS

1.4 - 2.5 tons

**REACH NEW HEIGHT...  
OF PERFORMANCE AND  
PRODUCTIVITY**

SENSiA EM is designed for effective and efficient operations. Its highly sensitive control system and progressive, modulated fingertip response curves allow operators to work with accuracy and confidence.

## SPECIFICATIONS

RB14N2L	RB16N2H
RB14N2S	RB16N2C
RB14N2HS	RB16N2HC
RB16N2S	RB20N2H
RB16N2HS	RB20N2X
RB16N2L	RB25N2X
RB16N2	

**WHEN  
RELIABILITY IS  
EVERYTHING...**



**RB14-25N2 Series**

# SENSiA

## RB14-25N2 Series

### REACH TRUCKS

1.4 – 2.5 tons

**A choice of two operating modes means SENSiA EM can be adapted for different operators. PRO mode is ideal for experienced warehouse staff looking for optimum performance, while ECO mode puts novice operators at ease with natural handling. SENSiA EM can even be customized by a service engineer to ensure that the truck's settings suit specific needs.**

The generously spacious operator compartment and ergonomic armrest ensure operators stay comfortable and focused, even throughout the longest shifts.

#### BRAKES

- **High-efficiency regenerative braking**  
This gives more effective control and reduces brake wear.
- **Load wheel brakes**  
These give extra braking power (standard on H and X models).

#### DRIVE

- **Powerful AC drive motor**  
High torque, even at faster speeds. Efficient, smooth, and quiet performance which helps to lower service costs.
- **Choice of two operation modes (ECO and PRO)**  
The truck's performance can be tailored for enhanced performance or extended shift life.
- **High-efficiency drive motors and hydraulic systems**  
Exceptional shift length between charges or changes.

- **Cornering control**

Even at fast travel speeds, cornering is efficient and stable.

- **Mitsubishi SDS (Sensitive Drive System)**

An intuitive driver-assist system for increased protection. Performance is managed according to steer angle and the velocity of foot and finger controls.

#### ELECTRICAL AND CONTROL SYSTEMS

- **Award-winning Active Sway Control (ASC)** (option, and not available on "L" models)

Delays caused by mast sway are reduced and performance is smoother and more stable.

- **CAN bus system**

Less wiring for quick and easy fault finding.

- **Maintenance interval calculator**

This helps to encourage correct regular servicing to minimize potential downtime.

- **Temperature control**

This prevents motors and controllers from sustaining damage from overheating.

- **Tilting battery cover**

Quick, easy access for maintenance and charging.

- **Battery rollers**

Changes are quick and easy.

#### FORKS AND MAST

- **Revolutionary VisionMast®** (not available on "L" models)

The operator gets unrivalled forward vision.

- **Clear-view fork carriage**

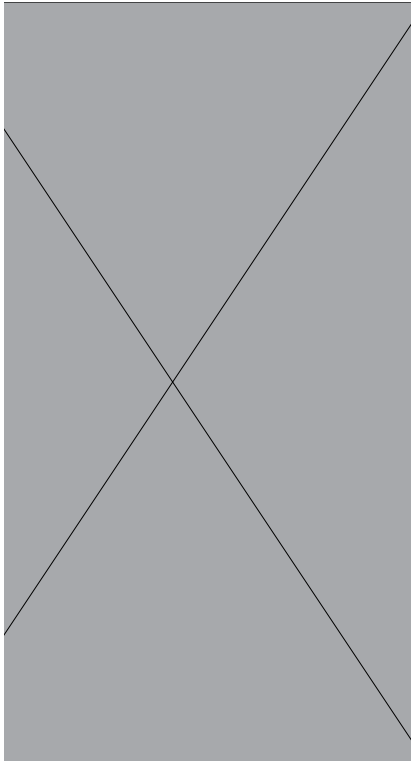
This has integral side-shift and offers optimal visibility of forks at the first stacking level.

- **Exceptionally smooth 'no knock' transition between mast stages**

Exact performance is ensured throughout lift range.

- **Passive Sway Control (PSC)**

The chassis moves slightly to compensate for elevated load motion and dampen it.



# SENSIA

## RB14-25N2 Series

### REACH TRUCKS

1.4 – 2.5 tons

#### FRAME AND BODY

- **Clear-view overhead guard**  
Great visibility while still offering high levels of overhead protection.

#### HYDRAULICS

- **Powerful AC hydraulic motor with extra-strength pump (H models)**  
Lifting and lowering is fast and controlled.

#### OPERATOR COMPARTMENT AND CONTROLS

- **Spacious and comfortable operator compartment, clear view and fast, accurate fork positioning**  
This all helps to increase productivity and reduce driver fatigue - even on the longest shifts.
- **Easy-access compartment**  
This features ergonomic hand bars, low non-slip intermediate step and entry provides effortless entry and exit.
- **Folding steering wheel console**  
Length and angle of column are adjustable to give each operator the optimal driving position. Lifts up for easy exit and entry of the cabin.

- **Multifunctional armrest controls**  
Operators' arm is well supported and cuts down on unnecessary movement. Controls for reach, lift, tilt, fork positioning, direction and horn all within easy reach.
- **Full-suspension, fully adjustable seat**  
Drivers are kept comfortable and alert throughout long shifts.
- **Clear information display**  
The driver is given key information such as guidance, warning, and alarms.
- **Low-noise technology**  
The sound level at the driver's ear is no louder than a typical conversation.
- **Ergonomic armrest**  
Adjustable and matches natural operating position to reduce fatigue.
- **Fingertip control system**  
Patented with modulated response curves and optimised for natural movement with effortless control.

#### STEERING SYSTEM

- **Unlimited 360-degree progressive electric steering**  
Maneuvering is easy at low speeds and offers effortless control at higher speeds.



# VDI - PERFORMANCE & DIMENSIONS

**SENSIA**

**RB14-25N2  
Series**

**REACH TRUCKS**

1.4 – 1.6 tons



RB16N2

CHARACTERISTICS				Mitsubishi Forklift Trucks	Mitsubishi Forklift Trucks	Mitsubishi Forklift Trucks	Mitsubishi Forklift Trucks	Mitsubishi Forklift Trucks
1.1	Manufacturer			RB14N2L	RB14N2S	RB14N2HS	RB16N2S	RB16N2HS
1.2	Manufacturer's model designation			Battery	Battery	Battery	Battery	Battery
1.3	Power source			Seated	Seated	Seated	Seated	Seated
1.4	Operator type			1400	1400	1400	1600	1600
1.5	Load capacity	Q	kg	600	600	600	600	600
1.6	Load center distance	c	mm	see table	see table	see table	see table	see table
1.8	Load wheel axle to fork face (forks lowered)	x	mm	1300	1300	1300	1300	1300
1.9	Wheelbase	y	mm					
WEIGHT								
2.1	Truck weight without load, with maximum battery weight		kg	4297	3570	4297	3591	4297
2.3	Axle loadings with nominal load & maximum battery weight, drive / load side		kg	2318 / 1979	2041 / 1529	2318 / 1979	2041 / 1550	2318 / 1979
2.4	Axle loading, mast forward, with nominal load, drive / load side		kg	814 / 4883	721 / 4249	814 / 4883	706 / 4486	814 / 4883
2.5	Axle loading, mast retracted, with nominal load, drive / load side		kg	1983 / 3714	1706 / 3264	1983 / 3714	1686 / 3506	1983 / 3714
WHEELS, DRIVE TRAIN								
3.1	Tires: PT = Power Thane, Vul = Vulkollan, P = Polyurethane, N = Nylon, R = Rubber drive / load side			Vul	PT	Vul	PT	Vul
3.2	Tire dimensions, drive side		mm	Ø360 × 140	Ø360 × 140	Ø360 × 140	Ø360 × 140	Ø360 × 140
3.3	Tire dimensions, load side		mm	Ø285 × 75	Ø285 × 75	Ø285 × 75	Ø285 × 75	Ø285 × 75
3.5	Number of wheels, load / drive side (x = driven)			2 / 1 x	2 / 1 x	2 / 1 x	2 / 1 x	2 / 1 x
3.7	Track width (center of tires), load side	b11	mm	1195	1195	1195	1195	1195
DIMENSIONS								
4.1	Fork tilt, forwards / backwards	∂, β	°	2 / 4	2 / 4	2 / 4	2 / 4	2 / 4
4.2a	Height with mast lowered	h1	mm	see table	see table	see table	see table	see table
4.3	Free lift	h2	mm	see table	see table	see table	see table	see table
4.4	Lift height	h3	mm	see table	see table	see table	see table	see table
4.5	Height with mast extended	h4	mm	see table	see table	see table	see table	see table
4.7	Height to top of overhead guard	h6	mm	2200	2200	2200	2200	2200
4.8	Seat- or stand height	h7	mm	1.030 <sup>1)</sup>	1.030 <sup>1)</sup>	1.030 <sup>1)</sup>	1.030 <sup>1)</sup>	1.030 <sup>1)</sup>
4.10	Height of support legs	h8	mm	360	360	360	360	360
4.15	Fork height, fully lowered	h13	mm	85	85	85	85	85
4.19	Overall length	l1	mm	see table	see table	see table	see table	see table
4.20	Length to fork face	l2	mm	see table	see table	see table	see table	see table
4.21	Overall width	b1/b2	mm	1270	1270	1270	1270	1270
4.22	Fork dimensions (thickness, width, length)	s/e/l	mm	40 / 100 / 1150	40 / 100 / 1150	40 / 100 / 1150	40 / 100 / 1150	40 / 100 / 1150
4.23	Fork carriage to DIN			FEM 2A	FEM 2A	FEM 2A	FEM 2A	FEM 2A
4.24	Fork carriage width	b3	mm	720	720	720	720	720
4.25	Outside width over forks (minimum / maximum)	b5	mm	315 - 710	315 - 710	315 - 710	315 - 710	315 - 710
4.26	Inner width of support legs	b4	mm	1070	1070	1070	1070	1070
4.28	Mast reach	l4	mm	381	463	381	463	381
4.32	Ground clearance at center of wheelbase, (forks lowered)	m2	mm	75	75	75	75	75
4.33a	Working aisle width (Ast) with 1000 x 1200 mm pallets, load crosswise	Ast	mm	see table	see table	see table	see table	see table
4.33b	Working aisle width (Ast) with 800 x 1200 mm pallets, load lengthwise	Ast3	mm	see table	see table	see table	see table	see table
4.34a	Working aisle width (Ast3) with 1000 x 1200 mm pallets, load crosswise	Ast	mm	see table	see table	see table	see table	see table
4.34b	Working aisle width (Ast3) with 800 x 1200 mm pallets, load lengthwise	Ast3	mm	see table	see table	see table	see table	see table
4.35	Turning radius	Wa	mm	see table	see table	see table	see table	see table
4.37	Truck length including support legs	l7	mm	1693	1693	1693	1693	1693
PERFORMANCE								
5.1	Travel speed, with / without load		km/h	12 / 12 <sup>4)</sup>	12 / 12 <sup>4)</sup>	12 / 12 <sup>4)</sup>	12 / 12 <sup>4)</sup>	12 / 12 <sup>4)</sup>
5.2	Lifting speed, with / without load		m/s	0.4 / 0.7	0.4 / 0.65	0.4 / 0.7	0.4 / 0.65	0.4 / 0.7
5.3	Lowering speed, with / without load		m/s	0.55 / 0.5	0.55 / 0.5	0.55 / 0.5	0.55 / 0.5	0.55 / 0.5
5.8	Maximum gradeability, with / without load		%	10 / 15	10 / 15	10 / 15	10 / 15	10 / 15
5.9	Acceleration time (10 meters), with / without load		s	4.8 / 4.4	5.0 / 4.5	4.8 / 4.4	5.0 / 4.5	4.8 / 4.4
5.10	Service brakes (mechanical / hydraulic / electric / pneumatic)			Electric	Electric	Electric	Electric	Electric
ELECTRIC MOTORS								
6.1	Drive motor capacity (60 min. short duty)		kW	7.5	7.5	7.5	7.5	7.5
6.2	Lift motor output at 15% duty factor		kW	14	10	14	10	14
6.4	Battery voltage/capacity at 5-hour discharge		V/Ah	48-620 / 775	48-465 / 620 / 775	48-620 / 775	48-465 / 620 / 775	48-620 / 775
6.5	Battery weight		kg	see table	see table	see table	see table	see table
MISCELLANEOUS								
8.1	Type of drive control			Stepless	Stepless	Stepless	Stepless	Stepless
10.7	Level of noise at the ear level of the driver according to EN 12 053:2001 and EN ISO 4871 in work LpAZ		dB(A)	71 <sup>2)</sup>	67 <sup>2)</sup>	71 <sup>2)</sup>	67 <sup>2)</sup>	63 <sup>2)</sup>
10.7.1	Level of noise at the ear level of the driver according to EN 12 053:2001 and EN ISO 4871, drive/lift/idle LpAZ		dB(A)	61 / 69 / 48 <sup>2)</sup>	58 / 73 / 50 <sup>2)</sup>	61 / 69 / 48 <sup>2)</sup>	58 / 73 / 50 <sup>2)</sup>	61 / 69 / 48 <sup>2)</sup>
10.7.2	Whole-body vibration (EN 13 059:2002)			0.31 <sup>3)</sup>	0.31 <sup>3)</sup>	0.31 <sup>3)</sup>	0.31 <sup>3)</sup>	0.31 <sup>3)</sup>
10.7.3	Hand-arm vibration (EN 13 059:2002)			< 2.5 <sup>3)</sup>	< 2.5 <sup>3)</sup>	< 2.5 <sup>3)</sup>	< 2.5 <sup>3)</sup>	< 2.5 <sup>3)</sup>

- 1) Measured with standard seat to SIP point
- 2) Inaccuracy of 4dB (A)
- 3) Body tremble measured with air pressured seat
- 4) Max drive speed to fork direction 9 km / h

# VDI - PERFORMANCE & DIMENSIONS

**SENSIA**

## RB14-25N2 Series REACH TRUCKS

1.6 tons



RB16N2

CHARACTERISTICS				Mitsubishi Forklift Trucks	Mitsubishi Forklift Trucks	Mitsubishi Forklift Trucks	Mitsubishi Forklift Trucks	Mitsubishi Forklift Trucks
1.1	Manufacturer			Mitsubishi Forklift Trucks	Mitsubishi Forklift Trucks	Mitsubishi Forklift Trucks	Mitsubishi Forklift Trucks	Mitsubishi Forklift Trucks
1.2	Manufacturer's model designation			RB16N2L	RB16N2	RB16N2H	RB16N2C	RB16N2HC
1.3	Power source			Battery	Battery	Battery	Battery	Battery
1.4	Operator type			Seated	Seated	Seated	Seated	Seated
1.5	Load capacity	Q	kg	1600	1600	1600	1600	1600
1.6	Load center distance	c	mm	600	600	600	600	600
1.8	Load wheel axle to fork face (forks lowered)	x	mm	see table	see table	see table	see table	see table
1.9	Wheelbase	y	mm	1300	1350	1350	1400	1400
WEIGHT								
2.1	Truck weight without load, with maximum battery weight		kg	4297	3845	4571	3509	4039
2.3	Axle loadings with nominal load & maximum battery weight, drive / load side		kg	2318 / 1979	2114 / 1731	2389 / 2182	1958 / 1551	2114 / 1925
2.4	Axle loading, mast forward, with nominal load, drive / load side		kg	814 / 4883	735 / 4709	833 / 5338	628 / 4480	614 / 5024
2.5	Axle loading, mast retracted, with nominal load, drive / load side		kg	1983 / 3714	1745 / 3699	2020 / 4151	1602 / 3507	1759 / 3880
WHEELS, DRIVE TRAIN								
3.1	Tires: PT = Power Thane, Vul = Vulkollan, P = Polyurethane, N = Nylon, R = Rubber drive / load side			Vul	PT	Vul	PT	Vul
3.2	Tire dimensions, drive side		mm	Ø360 x 140	Ø360 x 140	Ø360 x 140	Ø360 x 140	Ø360 x 140
3.3	Tire dimensions, load side		mm	Ø285 x 75	Ø285 x 130	Ø285 x 130	Ø285 x 75	Ø285 x 75
3.5	Number of wheels, load / drive side (x = driven)			2 / 1 x	2 / 1 x	2 / 1 x	2 / 1 x	2 / 1 x
3.7	Track width (center of tires), load side	b11	mm	1195	1140	1140	1025	1025
DIMENSIONS								
4.1	Fork tilt, forwards / backwards	∂, β	°	2 / 4	2 / 4	2 / 4	2 / 4	2 / 4
4.2a	Height with mast lowered	h1	mm	see table	see table	see table	see table	see table
4.3	Free lift	h2	mm	see table	see table	see table	see table	see table
4.4	Lift height	h3	mm	see table	see table	see table	see table	see table
4.5	Height with mast extended	h4	mm	see table	see table	see table	see table	see table
4.7	Height to top of overhead guard	h6	mm	2200	2200	2200	2200	2200
4.8	Seat- or stand height	h7	mm	1.030 <sup>1)</sup>	1.030 <sup>1)</sup>	1.030 <sup>1)</sup>	1.030 <sup>1)</sup>	1.030 <sup>1)</sup>
4.10	Height of support legs	h8	mm	360	360	360	360	360
4.15	Fork height, fully lowered	h13	mm	85	85	85	85	85
4.19	Overall length	l1	mm	see table	see table	see table	see table	see table
4.20	Length to fork face	l2	mm	see table	see table	see table	see table	see table
4.21	Overall width	b1/b2	mm	1270	1270	1270	1100	1100
4.22	Fork dimensions (thickness, width, length)	s/e/l	mm	40 / 100 / 1150	40 / 100 / 1150	40 / 100 / 1150	40 / 100 / 1150	40 / 100 / 1150
4.23	Fork carriage to DIN			FEM 2A	FEM 2A	FEM 2A	FEM 2A	FEM 2A
4.24	Fork carriage width	b3	mm	720	720	720	720	720
4.25	Outside width over forks (minimum / maximum)	b5	mm	315 - 710	315 - 710	315 - 710	315 - 710	315 - 710
4.26	Inner width of support legs	b4	mm	1070	900	900	900	900
4.28	Mast reach	l4	mm	381	see table	see table	see table	see table
4.32	Ground clearance at center of wheelbase, (forks lowered)	m2	mm	75	75	75	75	75
4.33a	Working aisle width (Ast) with 1000 x 1200 mm pallets, load crosswise	Ast	mm	see table	see table	see table	see table	see table
4.33b	Working aisle width (Ast) with 800 x 1200 mm pallets, load lengthwise	Ast3	mm	see table	see table	see table	see table	see table
4.34a	Working aisle width (Ast3) with 1000 x 1200 mm pallets, load crosswise	Ast	mm	see table	see table	see table	see table	see table
4.34b	Working aisle width (Ast3) with 800 x 1200 mm pallets, load lengthwise	Ast3	mm	see table	see table	see table	see table	see table
4.35	Turning radius	Wa	mm	see table	see table	see table	see table	see table
4.37	Truck length including support legs	l7	mm	1693	1793	1793	1793	1793
PERFORMANCE								
5.1	Travel speed, with / without load		km/h	12 / 12 <sup>4)</sup>	12 / 12 <sup>4)</sup>	14 / 14 <sup>4)</sup>	12 / 12 <sup>4)</sup>	12 / 12 <sup>4)</sup>
5.2	Lifting speed, with / without load		m/s	0.4 / 0.7	0.4 / 0.65	0.4 / 0.7	0.4 / 0.65	0.4 / 0.7
5.3	Lowering speed, with / without load		m/s	0.55 / 0.5	0.55 / 0.5	0.55 / 0.5	0.55 / 0.5	0.55 / 0.5
5.8	Maximum gradeability, with / without load		%	10 / 15	10 / 15	10 / 15	10 / 15	10 / 15
5.9	Acceleration time (10 meters), with / without load		s	4.8 / 4.4	5.0 / 4.5	4.8 / 4.6	5.0 / 4.5	4.8 / 4.8
5.10	Service brakes (mechanical / hydraulic / electric / pneumatic)			Electric	Electric	Electric	Electric	Electric
ELECTRIC MOTORS								
6.1	Drive motor capacity (60 min. short duty)		kW	7.5	7.5	7.5	7.5	7.5
6.2	Lift motor output at 15% duty factor		kW	14	10	14	10	14
6.4	Battery voltage/capacity at 5-hour discharge		V/Ah	48-620 / 775	48-465 / 620 / 775	48-620 / 775	48-620 / 775	48-620
6.5	Battery weight		kg	see table	see table	see table	see table	see table
MISCELLANEOUS								
8.1	Type of drive control			Stepless	Stepless	Stepless	Stepless	Stepless
10.7	Level of noise at the ear level of the driver according to EN 12 053:2001 and EN ISO 4871 in work LpAZ		dB(A)	63 <sup>2)</sup>	66 <sup>2)</sup>	63 <sup>2)</sup>	66 <sup>2)</sup>	63 <sup>2)</sup>
10.7.1	Level of noise at the ear level of the driver according to EN 12 053:2001 and EN ISO 4871, drive/lift/idle LpAZ		dB(A)	61 / 69 / 48 <sup>2)</sup>	58 / 73 / 50 <sup>2)</sup>	61 / 69 / 48 <sup>2)</sup>	58 / 73 / 50	61 / 69 / 48 <sup>2)</sup>
10.7.2	Whole-body vibration (EN 13 059:2002)			0.31 <sup>3)</sup>	0.31 <sup>3)</sup>	0.31 <sup>3)</sup>	0.31 <sup>3)</sup>	0.31 <sup>3)</sup>
10.7.3	Hand-arm vibration (EN 13 059:2002)			< 2.5 <sup>3)</sup>	< 2.5 <sup>3)</sup>	< 2.5 <sup>3)</sup>	< 2.5 <sup>3)</sup>	< 2.5 <sup>3)</sup>

- 1) Measured with standard seat to SIP point
- 2) Inaccuracy of 4dB (A)
- 3) Body tremble measured with air pressured seat
- 4) Max drive speed to fork direction 9 km / h

# VDI - PERFORMANCE & DIMENSIONS

SENSIA

CHARACTERISTICS				Mitsubishi Forklift Trucks	Mitsubishi Forklift Trucks	Mitsubishi Forklift Trucks
1.1	Manufacturer			RB20N2H	RB20N2X	RB25N2X
1.2	Manufacturer's model designation			Battery	Battery	Battery
1.3	Power source			Seated	Seated	Seated
1.4	Operator type			2000	2000	2500
1.5	Load capacity	Q	kg	600	600	600
1.6	Load center distance	c	mm	see table	see table	see table
1.8	Load wheel axle to fork face (forks lowered)	x	mm	1500	1500	1500
1.9	Wheelbase	y	mm			
WEIGHT						
2.1	Truck weight without load, with maximum battery weight		kg	4570	5065	4656
2.3	Axle loadings with nominal load & maximum battery weight, drive / load side		kg	2435 / 2135	2620 / 2445	2466 / 2190
2.4	Axle loading, mast forward, with nominal load, drive / load side		kg	910 / 5660	680 / 6385	675 / 6480
2.5	Axle loading, mast retracted, with nominal load, drive / load side		kg	2020 / 4550	2090 / 4975	1947 / 5208
WHEELS, DRIVE TRAIN						
3.1	Tires: PT = Power Thane, Vul = Vulkollan, P = Polyurethane, N = Nylon, R = Rubber drive / load side			Vul	Vul	Vul
3.2	Tire dimensions, drive side		mm	Ø360 × 140	Ø360 × 140	Ø360 × 140
3.3	Tire dimensions, load side		mm	Ø285 × 130	Ø285 × 130	Ø285 × 130
3.5	Number of wheels, load / drive side (x = driven)			2 / 1 x	2 / 1 x	2 / 1 x
3.7	Track width (center of tires), load side	b11	mm	1140	1310	1310
DIMENSIONS						
4.1	Fork tilt, forwards / backwards	∂, β	°	2 / 4	2 / 4	2 / 4
4.2a	Height with mast lowered	h1	mm	see table	see table	see table
4.3	Free lift	h2	mm	see table	see table	see table
4.4	Lift height	h3	mm	see table	see table	see table
4.5	Height with mast extended	h4	mm	see table	see table	see table
4.7	Height to top of overhead guard	h6	mm	2200	2200	2200
4.8	Seat- or stand height	h7	mm	1.030 <sup>1)</sup>	1.030 <sup>1)</sup>	1.030 <sup>1)</sup>
4.10	Height of support legs	h8	mm	360	360	360
4.15	Fork height, fully lowered	h13	mm	85	85	85
4.19	Overall length	l1	mm	see table	see table	see table
4.20	Length to fork face	l2	mm	see table	see table	see table
4.21	Overall width	b1/b2	mm	1270	1440	1440
4.22	Fork dimensions (thickness, width, length)	s/e/l	mm	50 / 100 / 1150	50 / 100 / 1150	50 / 100 / 1150
4.23	Fork carriage to DIN			FEM 2A	FEM 2A	FEM 2A
4.24	Fork carriage width	b3	mm	720	720	720
4.25	Outside width over forks (minimum / maximum)	b5	mm	315 - 710	315 - 710	315 - 710
4.26	Inner width of support legs	b4	mm	900	1070	1070
4.28	Mast reach	l4	mm	582	572	572
4.32	Ground clearance at center of wheelbase, (forks lowered)	m2	mm	75	75	75
4.33a	Working aisle width (Ast) with 1000 x 1200 mm pallets, load crosswise	Ast	mm	see table	see table	see table
4.33b	Working aisle width (Ast) with 800 x 1200 mm pallets, load lengthwise	Ast3	mm	see table	see table	see table
4.34a	Working aisle width (Ast3) with 1000 x 1200 mm pallets, load crosswise	Ast	mm	see table	see table	see table
4.34b	Working aisle width (Ast3) with 800 x 1200 mm pallets, load lengthwise	Ast3	mm	see table	see table	see table
4.35	Turning radius	Wa	mm	see table	see table	see table
4.37	Truck length including support legs	l7	mm	1893	1893	1893
PERFORMANCE						
5.1	Travel speed, with / without load		km/h	14 / 14 <sup>4)</sup>	11 / 14 <sup>4)</sup>	11 / 14 <sup>4)</sup>
5.2	Lifting speed, with / without load		m/s	0.4 / 0.7	0.4 / 0.7	0.3 / 0.7
5.3	Lowering speed, with / without load		m/s	0.55 / 0.5	0.55 / 0.5	0.55 / 0.5
5.8	Maximum gradeability, with / without load		%	10 / 15	10 / 15	10 / 15
5.9	Acceleration time (10 meters), with / without load		s	4.8 / 4.4	5.2 / 4.4	5.2 / 4.4
5.10	Service brakes (mechanical / hydraulic / electric / pneumatic)			Electric	Electric	Electric
ELECTRIC MOTORS						
6.1	Drive motor capacity (60 min. short duty)		kW	7.5	7.5	7.5
6.2	Lift motor output at 15% duty factor		kW	14	14	14
6.4	Battery voltage/capacity at 5-hour discharge		V/Ah	48-620 / 775 / 930	48-620 / 775 / 930	48-620 / 775 / 930
6.5	Battery weight		kg	see table	see table	see table
MISCELLANEOUS						
8.1	Type of drive control			Stepless	Stepless	Stepless
10.7	Level of noise at the ear level of the driver according to EN 12 053:2001 and EN ISO 4871 in work LpAZ		dB(A)	63 <sup>2)</sup>	63 <sup>2)</sup>	63 <sup>2)</sup>
10.7.1	Level of noise at the ear level of the driver according to EN 12 053:2001 and EN ISO 4871, drive/lift/idle LpAZ		dB(A)	61 / 69 / 48 <sup>2)</sup>	61 / 69 / 48 <sup>2)</sup>	61 / 69 / 48 <sup>2)</sup>
10.7.2	Whole-body vibration (EN 13 059:2002)			0.31 <sup>3)</sup>	0.31 <sup>3)</sup>	0.31 <sup>3)</sup>
10.7.3	Hand-arm vibration (EN 13 059:2002)			< 2.5 <sup>3)</sup>	< 2.5 <sup>3)</sup>	< 2.5 <sup>3)</sup>

## RB14-25N2 Series REACH TRUCKS

2.0 – 2.5 tons



RB25N2X

- 1) Measured with standard seat to SIP point
- 2) Inaccuracy of 4dB (A)
- 3) Body tremble measured with air pressured seat
- 4) Max drive speed to fork direction 9 km / h

# MAST PERFORMANCE AND CAPACITY

SENSIA

## RB14-25N2 Series

RB14N2L, RB16N2L				
MAST TYPE	h3 + h13 mm	h1 mm	h2 + h13 mm	h4 <sup>1)</sup> mm
TRIPLEX	4800	2210	1700	5630
	5400	2410	1900	6230
	5700	2510	2000	6530
	5900	2577	2070	6730
	6300	2710	2230	7130
	7000	2943	2530	7830
	7500	3110	2700	8330

RB14N2S, RB16N2S, RB16N2, RB16N2C				
MAST TYPE	h3 + h13 mm	h1 mm	h2 + h13 mm	h4 <sup>1)</sup> mm
TRIPLEX	4800	2210	1560	5630
	5400	2410	1760	6230
	5700	2510	1860	6530
	5900	2577	1927	6730
	6300	2710	2060	7130
	7000	2943	2293	7830
	7500	3110	2460	8330

RB14N2HS, RB16N2HS, RB16N2HC				
MAST TYPE	h3 + h13 mm	h1 mm	h2 + h13 mm	h4 <sup>1)</sup> mm
TRIPLEX	8000	3297	2647	8830
	8500	3463	2813	9330
	9000	3785	3135	9830
	9500 <sup>2)</sup>	3952 <sup>2)</sup>	3387 <sup>2)</sup>	10330 <sup>2)</sup>

2) RB14N2HS only

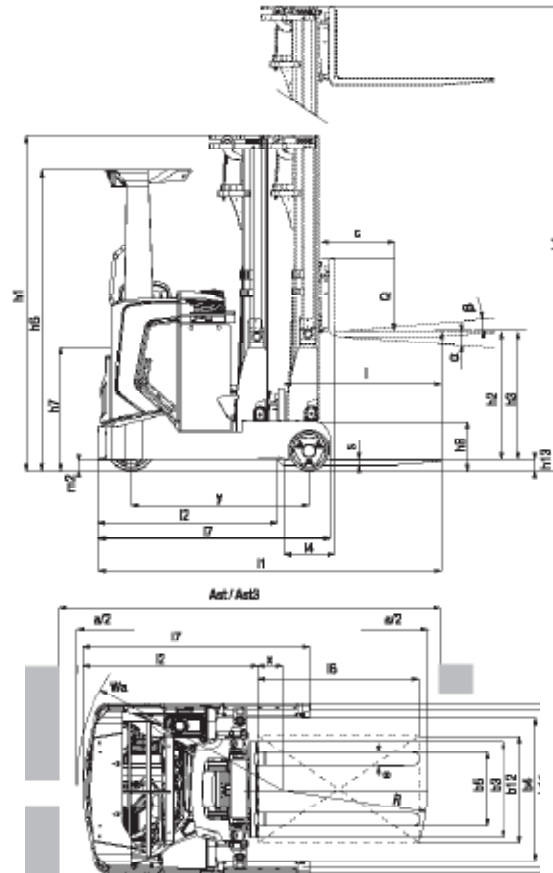
RB16N2H				
MAST TYPE	h3 + h13 mm	h1 mm	h2 + h13 mm	h4 <sup>1)</sup> mm
TRIPLEX	8000	3297	2647	8830
	8500	3463	2813	9330
	9000	3785	3135	9830
	9500	3952	3302	10330
	10000	4118	3468	10830
	10500	4285	3635	11330
	11000	4452	3802	11830
	11500	4618	3968	12330

RB20N2X				
MAST TYPE	h3 + h13 mm	h1 mm	h2 + h13 mm	h4 <sup>1)</sup> mm
TRIPLEX	8000	3297	2647	8830
	8500	3463	2813	9330
	9000	3785	3135	9830
	9500	3952	3302	10330

1) Including load backrest

h3+h13 = Lifting height  
h1 = Lowered mast height  
h2+h13 = Free lift  
h4 = Raised mast height

MODEL	BATTERY CAPACITY	BATTERY WEIGHT	4.33 (1000 x 1200 MM CROSSWISE)		4.34 (800 x 1200 MM LENGTHWISE)		L1	L2	L1	X	Wa
			AST	AST3	AST	AST3	4.28	4.20	4.19	1.8	4.35
	Ah	kg	mm	mm	mm	mm	mm	mm	mm	mm	mm
RB14N2L	465	700	2695	2480	2762	2680	463	1264	2414	271	1551
	620	900	2752	2552	2829	2752	391	1336	2486	199	1551
	775	1100	2810	2624	2896	2824	319	1408	2558	127	1551
RB14N2S	465	700	2684	2466	2750	2666	463	1254	2404	281	1541
	620	900	2740	2538	2816	2738	391	1326	2476	209	1541
	775	1100	2798	2610	2883	2810	319	1398	2548	137	1541
RB14N2HS	620	900	2748	2548	2825	2748	382	1336	2486	199	1541
	775	1100	2806	2620	2892	2820	310	1408	2558	127	1541
	930	1300	2864	2692	2956	2884	338	1480	2630	255	1541
RB16N2S	465	700	2684	2466	2750	2666	463	1254	2404	281	1541
	620	900	2740	2538	2816	2738	391	1326	2476	209	1541
	775	1100	2798	2610	2883	2810	319	1398	2548	137	1541
RB16N2HS	620	900	2748	2548	2825	2748	382	1336	2486	199	1541
	775	1100	2806	2620	2892	2820	310	1408	2558	127	1541
	930	1300	2864	2692	2956	2884	338	1480	2630	255	1541
RB16N2C	465	700	2730	2502	2789	2702	510	1308	2458	327	1629
	620	900	2799	2592	2872	2792	420	1398	2548	237	1629
	775	1100	2868	2684	2955	2864	350	1488	2638	167	1629
RB16N2HC	620	900	2807	2602	2881	2802	410	1408	2558	228	1629
	775	1100	2876	2671	2950	2871	340	1498	2648	158	1629
	930	1300	2945	2740	3029	2945	370	1588	2738	88	1629
RB16N2L	465	700	2695	2480	2762	2680	463	1264	2414	271	1551
	620	900	2752	2552	2829	2752	391	1336	2486	199	1551
	775	1100	2810	2624	2896	2824	319	1408	2558	127	1551
RB16N2	465	700	2693	2463	2751	2663	513	1254	2404	331	1629
	620	900	2748	2535	2817	2735	441	1326	2476	259	1629
	775	1100	2804	2607	2883	2807	369	1398	2548	187	1629
RB16N2H	620	900	2755	2545	2826	2745	432	1336	2486	249	1629
	775	1100	2812	2617	2892	2817	360	1408	2558	177	1629
	930	1300	2879	2686	2969	2879	390	1498	2648	107	1629
RB20N2H	620	900	2784	2536	2830	2736	582	1336	2486	399	1735
	775	1100	2837	2608	2895	2808	510	1408	2558	327	1735
	930	1300	2892	2680	2961	2880	438	1480	2630	255	1735
RB20N2X	620	900	2805	2560	2853	2760	572	1346	2496	389	1749
	775	1100	2858	2632	2918	2832	500	1418	2568	317	1749
	930	1300	2913	2704	2984	2904	428	1490	2640	245	1749
RB25N2X	620	900	2805	2560	2853	2760	572	1346	2496	389	1749
	775	1100	2858	2632	2918	2832	500	1418	2568	317	1749
	930	1300	2913	2704	2984	2904	428	1490	2640	245	1749



RB20N2H, RB25N2X				
MAST TYPE	h3 + h13 mm	h1 mm	h2 + h13 mm	h4 <sup>1)</sup> mm
TRIPLEX	4800	2230	1580	5630
	5400	2430	1780	6230
	5700	2530	1880	6530
	5900	2597	1947	6730
	6300	2730	2080	7130
	7000	2963	2313	7830
	7500	3130	2480	8330
	8000	3297	2647	8830
	8500	3463	2813	9330
	9000	3785	3135	9830
	9500	3952	3302	10330
10000	4118	3468	10830	
10500	4285	3635	11330	
11000	4452	3802	11830	
11500	4618	3968	12330	

Ast = Working aisle width with load  
Ast = Wa + R + a  
Ast3 = Working aisle width (b12 < 1000 mm)  
Ast3 = Wa + l6 - x + a  
Wa = Turning radius  
R =  $\sqrt{(l6 + x)^2 + (b12 / 2 - b13)^2}$   
a = Safety clearance = 2 x 100 mm  
l6 = Pallet length (1200 mm)  
x = Load wheel axle to fork face  
b12 = Pallet width (800 or 1000 mm)  
Q = Lifting capacity, rated load  
c = Load centre (distance)

Continuing improvement may lead to changes in these specifications

# STANDARD EQUIPMENT & OPTIONS

● = Standard  
● = Option

	RB14N2L	RB14N2S	RB14N2HS	RB16N2S	RB16N2HS	RB16N2L	RB16N2	RB16N2H	RB16N2C	RB16N2HC	RB20N2H	RB20N2X	RB25N2X
<b>GENERAL</b>													
Operator selectable economy or high performance modes ECO/PRO	●	●	●	●	●	●	●	●	●	●	●	●	●
Multifunctional color display (Hour-meter, BDI, Drive speed, time & date display)	●	●	●	●	●	●	●	●	●	●	●	●	●
Lift height indicator	-	●	●	●	●	-	●	●	●	●	●	●	●
Load weight indicator	●	●	●	●	●	●	●	●	●	●	●	●	●
Lift hydraulic and drive interlock / PDS	●	●	●	●	●	●	●	●	●	●	●	●	●
Integrated sideshift and tilt fork carriage	●	●	●	●	●	●	●	●	●	●	●	●	●
360 degree steering with fully adjustable steering column	●	●	●	●	●	●	●	●	●	●	●	●	●
Drive speed limitation according to lift height	●	●	●	●	●	●	●	●	●	●	●	●	●
Load wheel brakes	●	●	●	●	●	●	●	●	●	●	●	●	●
SST - Seat Switch Timeout: all functions are disabled, truck enters "stop mode" and park brake is automatic enabled	●	●	●	●	●	●	●	●	●	●	●	●	●
Trucktool setup and diagnostics	●	●	●	●	●	●	●	●	●	●	●	●	●
Lateral battery change, chassis integrated roller bed	●	●	●	●	●	●	●	●	●	●	●	●	●
<b>HYDRAULIC</b>													
5th hydraulic with hosing to fork carriage	-	●	●	●	●	-	●	●	●	●	●	●	●
<b>MAST, FORKS AND CARRIAGE</b>													
Load backrest	●	●	●	●	●	●	●	●	●	●	●	●	●
Fork positioner	-	●	●	●	●	-	●	●	●	●	●	●	●
Lift pre-height selector	-	●	●	●	●	-	●	●	●	●	●	●	●
Fork camera & color 7" display	-	-	-	●	●	-	●	●	●	●	●	●	●
Load weight indicator in 25kg increments	●	●	●	●	●	●	●	●	●	●	●	●	●
Telescopic forks	-	●	●	●	●	-	●	●	●	●	●	●	●
Passive sway control for mast	●	●	●	●	●	●	●	●	●	●	●	●	●
Active sway control for mast	-	●	●	●	●	-	●	●	●	●	●	●	●
<b>DRIVE AND LIFT CONTROLS</b>													
Variable speed control on all hydraulic controls	●	●	●	●	●	●	●	●	●	●	●	●	●
Curve control	●	●	●	●	●	●	●	●	●	●	●	●	●
Armrest direction control	●	●	●	●	●	●	●	●	●	●	●	●	●
Automatic sideshift and tilt centering via the F2 button on fingertip controller	●	●	●	●	●	●	●	●	●	●	●	●	●
Lowering cut-off at 500mm	-	●	●	●	●	-	●	●	●	●	●	●	●
Dual joysticks	●	●	●	●	●	●	●	●	●	●	●	●	●
Dual Pedals	●	●	●	●	●	●	●	●	-	-	●	●	●

**SENSIA**

**RB14-25N2  
Series  
REACH  
TRUCKS**

1.4 – 2.5 tons



Multifunctional color display



Load backrest



# STANDARD EQUIPMENT & OPTIONS

● = Standard  
● = Option

	RB14N2L	RB14N2S	RB14N2HS	RB16N2S	RB16N2HS	RB16N2L	RB16N2	RB16N2H	RB16N2C	RB16N2HC	RB20N2H	RB20N2X	RB25N2X
<b>ELECTRIC</b>													
Blue point safety light, towards driving direction	●	●	●	●	●	●	●	●	●	●	●	●	●
Drive light LED	●	●	●	●	●	●	●	●	●	●	●	●	●
Working lights LED, mounted on mast towards fork direction	●	●	●	●	●	●	●	●	●	●	●	●	●
Warning light (yellow) on the roof	●	●	●	●	●	●	●	●	●	●	●	●	●
Drive alarm	●	●	●	●	●	●	●	●	●	●	●	●	●
Pin code access	●	●	●	●	●	●	●	●	●	●	●	●	●
Current output 12V, 4.5A including 5V USB connector	●	●	●	●	●	●	●	●	●	●	●	●	●
24V, 12.5A power supply for accessories	●	●	●	●	●	●	●	●	●	●	●	●	●
Audio system, incl. speakers, 3.5mm jack connector	●	●	●	●	●	●	●	●	●	●	●	●	●
<b>OHG AND CABIN</b>													
Cold storage cabin with heater and heated windows**	-	●	●	●	●	-	●	-	-	-	●	●	●
2-Way intercom for Cold store cabin	-	-	-	●	●	-	●	-	-	-	●	●	●
Grammer MSG20 cloth seat	●	●	●	●	●	●	●	●	-	-	●	●	●
Grammer MSG65 cloth seat with seat belt	●	●	●	●	●	●	●	●	●	●	●	●	●
Grammer MSG75 cloth seat with Air suspension, armrest, backrest vextension and seat belt	●	●	●	●	●	●	●	●	-	-	●	●	●
Rear view mirror, wide view	●	●	●	●	●	●	●	●	●	●	●	●	●
Plexi or steel net roof cover	●	-	-	●	●	●	●	●	●	●	●	●	●
Fire extinguisher	●	●	●	●	●	●	●	●	●	●	●	●	●
Accessory rack	●	●	●	●	●	●	●	●	●	●	●	●	●
A4 list bracket	●	●	●	●	●	●	●	●	●	●	●	●	●
Computer bracket	●	●	●	●	●	●	●	●	●	●	●	●	●
Narrow Overhead guard for drive in racking	-	-	-	-	-	-	-	-	●	●	-	-	-
<b>WHEEL OPTIONS</b>													
"Powerthane" polyurethan traction and load wheels	●	●	-	●	-	●	●	-	●	-	-	-	-
"Vulkollan" polyurethan traction and load wheels for high load weights	●	●	●	●	●	●	●	●	●	●	●	●	●
Power friction traction wheel	●	●	●	●	●	●	●	●	●	●	●	●	●
Anti static wheel set	●	●	●	●	●	●	●	●	●	●	●	●	●
<b>ENVIRONMENT</b>													
Cold store design, 0C° to -35C°	-	●	●	●	●	-	●	●	●	●	●	●	●
Hot storage modification > 40C°	●	●	●	●	●	●	●	●	●	●	●	●	●

**SENSIA EM**

**RB14-25N2  
Series  
REACH  
TRUCKS**

1.4 – 2.5 tons

\*\* Not in combination with option Cold store cabin



Blue point safety light



Cold storage cabin



Grammer seat with seatbelt



Rear view mirror, A4 list bracket

# WHEN RELIABILITY IS EVERYTHING...



## TOTAL DRIVER CONTROL

Instant driveability, thanks to custom performance modes, means our SENSiA reach truck offers excellent performance... in virtually any workplace.

With a wealth of smart design features, including revolutionary fingertip controls, sway control systems and 360-degree visibility, SENSiA provides operators unparalleled comfort, unrivalled support ... and absolute control.

Like any product bearing the "MITSUBISHI" name our materials handling equipment benefits from the tremendous heritage, huge resources and cutting-edge technology of one of the world's largest corporations – Mitsubishi Heavy Industries Group.

Engineering spacecraft, jet planes, power plants and more, MHI specialises in those technologies where performance, dependability and superiority decide your success or failure...

So when we promise you quality, reliability and value for money, you know it's a guarantee we have the power to deliver.

That's why every model in our award-winning and comprehensive range of lift trucks and warehouse equipment is built to a high specification – to ensure it keeps working for you. Day after day. Year after year. Whatever the job. Whatever the conditions.

### YOU'LL NEVER WORK ALONE

As your local authorised dealer, we are here to keep your trucks working – through our extensive experience, our technical excellence and our commitment to customer care.

We are your local experts, backed by efficient channels to the entire organisation of Mitsubishi Forklift Trucks.

No matter where you are, we are close by – with the capability to meet your needs.

Discover how Mitsubishi Forklift Trucks give you more from your local authorised dealer or when you visit our website [www.mitforklift.com](http://www.mitforklift.com)

Performance specifications may vary depending on standard manufacturing tolerances, vehicle condition, types of tyres, floor or surface conditions, applications or operating environment. Trucks may be shown with non-standard options. Specific performance requirements and locally available configurations should be discussed with your distributor of Mitsubishi forklift trucks. We follow a policy of continual product improvement. For this reason, some materials, options and specifications could change without notice.

[www.logisnextamericas.com/mit](http://www.logisnextamericas.com/mit)

WESM2044 (07/20) © 2020 MLE,  
© 2021 Mitsubishi Logisnext Americas Inc

