



PNEUMATIC TIRE FORKLIFT

15,500 LB CAPACITY LP DIESEL MODELS

THE HEAVY-DUTY FORKLIFT BUILT TO HANDLE TOUGH LOADS



EXPECT PRODUCTIVITY.

EXPERIENCE ENHANCED PERFORMANCE WITH A POWERFUL LOW-EMISSIONS ENGINE.



Excellent Fuel Efficiency:

The FD70N1 delivers excellent fuel efficiency with superior dependability. The high-performance Perkins™ 854F, turbocharged, four-cylinder engine was engineered for reduced fuel consumption – delivering an 18% increase in efficiency over the previous generation*. Compact in size, these engines provide the power of a 5.0L engine in a more efficient 3.4L package, while still meeting and exceeding today's rigorous Tier 4 Final emissions standards.

High Performance:

When you need power, you need it now. The FD70N1 features a powerful, compact turbocharger and precise torque converter – allowing for controlled, powerful acceleration when driving up ramps or moving heavy pallets outdoors.

Durable Frame:

Rough applications require tough equipment. The FD70N1 consists of a steel frame for added strength and durability:

- More steel in the frame for added resilience
- Rugged design helps minimize stress points in the frame

- Outstanding power and performance
- Fuel-efficient engine
- Durable steel frame for rugged applications
- Greater uptime, less maintenance

The FD70N1 delivers the power and performance that tough applications demand.

Exceptional Performance, Exceptional Value:

Mitsubishi Forklift Trucks developed the FD70N1 to deliver everything you need to tackle tough jobs every day – and at an exceptional value. From a durable design to a fuel-efficient and high-performance engine, the FD70N1 is ready to work when you are.



Key applications:

- Lumber
- Stone and glass
- Fabricated metals
- Industrial machinery
- Building materials
- Garden supplies

* Based on preliminary test results; levels may vary depending on application.



Proven Performance

The Tier 4 Final Approach:

Features a compact Diesel Oxidation Catalyst (DOC) and Selective Catalytic Reduction (SCR) aftertreatment solution that meets or exceeds U.S. EPA Tier 4 Final standards. This technology is designed to be maintenance free for the life of the engine.

Maintenance Made Simple:

Simplified maintenance means less downtime and more time on the job. Whether it's scheduled maintenance or a daily inspection, the FD70N1 makes it easier to get back to work.

- Easy-to-remove floor panel and steel side covers; no tools required
- Greater uptime and lower planned maintenance costs
- Easy access to all major components
- Less time consuming daily inspections
- Extended 500-hour service intervals



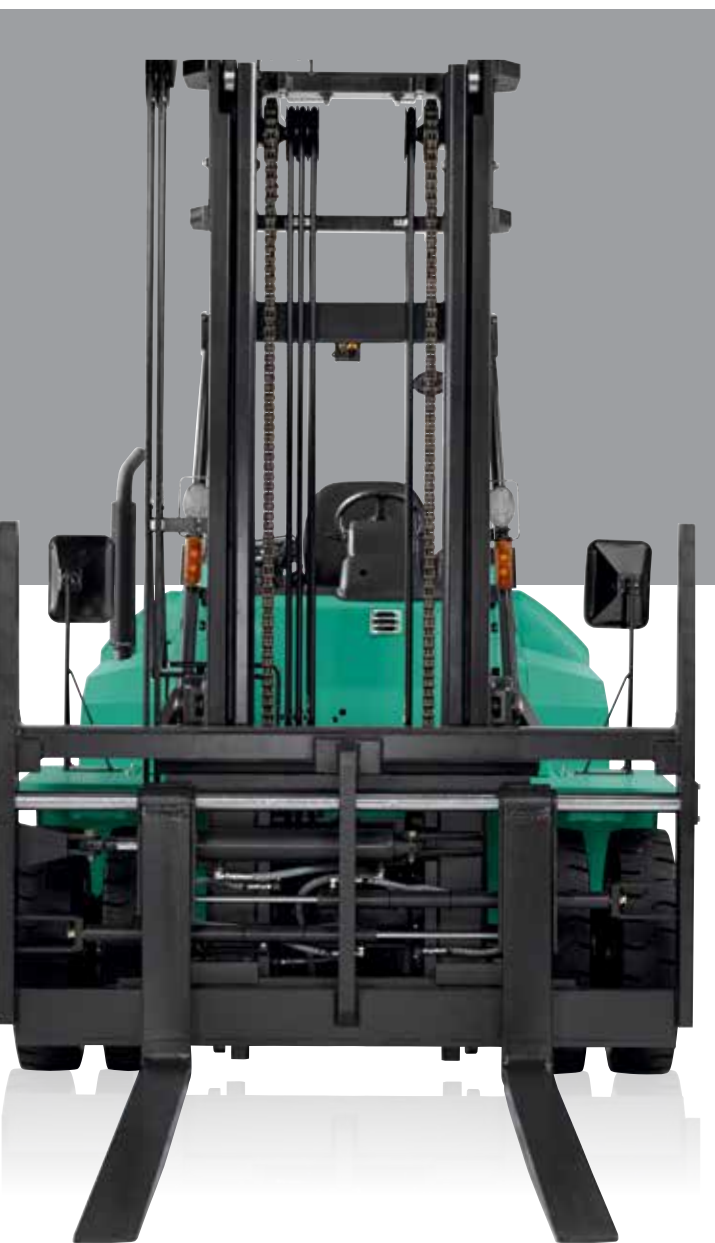
Engine Protection:

Regulated by the Vehicle Control Module, the Engine Protection System keeps the truck running at desirable levels while helping to reduce the risk of damage to the forklift, saving you money. If vital fluids become critically low,

or fluid temperatures are too high, RPM levels are automatically lowered and the operator is notified by a light on the dash display.

THE COMFORT YOUR OPERATORS DESERVE.

COMBINED WITH THE CONTROL YOUR BUSINESS DEMANDS.



Front-End Attachments:

The FD70N1 can be further customized to meet the demands of your business with optional front-end attachments, such as sidershifters or fork positioners. Ask your local Mitsubishi forklift truck dealer for more information.

Invaluable standard features:

- Full-suspension vinyl seat for enhanced comfort
- LED / LCD display panel for operator awareness
- Integrated Presence System (IPS) for added security
- Optional intuitive fingertip controls for optimal control

Premium Display Panel:

The LED and LCD display panel provides important indicator lights and information to the operator. These indicators help keep the operator informed about the current status of the forklift, whether it's as simple as the amount of fuel in the truck or something more complex such as an issue with oil pressure or fluid temperatures.



Less Noise, Greater Comfort:

The FD70N1 is built for added operator comfort. Standard design features such as rubber mounted major components, a fully-insulated steel engine hood, helical transmission gears and fully-enclosed wheel wells all work together to create a smooth driving experience.

Comfortable Ride:

The FD70N1 is equipped with a full-suspension vinyl seat, providing day-long comfort to operators of all sizes:

- Forward and backward adjustment up to 6.5"
- Suspension adjustment conforms to the operator
- Lower back lumbar adjustment
- Fold down pin allows for easy access to the engine compartment during daily checks and maintenance
- An optional cloth seat is also available for operators working long shifts or on rough surfaces

Integrated Presence System (IPS):

This system activates whenever the operator does not fasten the seat belt during operation or leaves the normal operating position without activating the parking brake. This integral computer-based feedback system uses both audible and visual indicators to alert the operator and increase operator awareness.

Cab Option To Meet Your Needs:

For harsh or demanding outdoor applications, the optional cab package can be added to the FD70N1 for further protection.



Features

- Front windshield with wiper and washer
- Top panel
- Roof headliner
- Dome light
- Operator and defogger fan
- Rear windshield with wiper and washer
- Right and left steel door with sliding window
- Steel coat hook
- Cabin heater



CHARACTERISTICS			FD70N1	
1	Capacity at rated load center	lb kg	15,500	7,000
2	Capacity at load center – distance	in mm	24	600
3	Power – electric, diesel, gasoline, LP gas		diesel	
4	Tire type – cushion, pneumatic		pneumatic	
5	Wheels (x=driven) number front / rear		4x / 2	
DIMENSIONS				
6	Maximum fork height (top of fork) ^[1]	in mm	120.5	3,060
7	Free fork height ^[1]	in mm	7.9	200
8	Forks – thickness x length x width ^[1]	in mm	2.4 x 48 x 5.9	60 x 1,220 x 150
9	Fork spacing – out-to-out minimum / maximum	in mm	11.8 / 63.0	300 / 1,600
10	Tilt – forward / backward	deg	6° / 12°	
11	Length to fork face	in mm	141	3,580
12	Width with dual drive tires	in mm	85.4	2,170
13	Height with lowered mast ^[1]	in mm	101.5	2,570
14	Seat height	in mm	62.7	1,592
15	Height to top of overhead guard	in mm	103	2,610
16	Height with extended mast ^[1]	in mm	168.5	4,277
17	Minimum outside turning radius	in mm	130	3,310
18	Load moment constant	in mm	23.0	585
19	Minimum aisle – 90° stack – zero clearance without load	in mm	153	3,895
PERFORMANCE				
20	Travel speed loaded / empty	mph km/h	16.2 / 18.0	26.0 / 29.0
21	Lift speed loaded / empty	fpm m/s	92.5 / 96.1	0.47 / 0.49
22	Lowering speed loaded / empty	fpm m/s	98.4 / 98.4	0.50 / 0.50
23	Drawbar pull – loaded at 1 mph (1.6 km)	lb N	8,900	39,600
24	Drawbar pull –loaded at maximum	lb N	11,960	53,200
25	Gradeability – loaded at 1 mph (1.6 km)	%	25	
26	Gradeability – loaded at maximum	%	35	
WEIGHT				
27	Empty	lb kg	20,990	9,520
28	Axle load – with rated load front / rear	lb kg	32,730 / 3,760	14,820 / 1,700
29	Axle load – without load front / rear	lb kg	9,280 / 11,710	4,210 / 5,310
CHASSIS				
30	Tire size – front, standard duals	in	8.25-15-12PR	
31	Tire size – rear	in	8.25-15-12PR	
32	Wheelbase	in mm	90.6	2,300
33	Tread width – front, standard duals	in mm	65.0	1,650
34	Tread width – rear	in mm	65.0	1,650
35	Ground clearance – at lowest point at mast	in mm	6.7	170
36	Ground clearance – at center of wheelbase	in mm	10.4	263
37	Service brake		hydraulic with vacuum boost	
38	Parking brake		hand, mechanical	
POWERTRAIN				
39	Engine model		Perkins 854F	
40	Continuous output S.A.E. gross	HP kW	100.6	75
41		at r.p.m.	2,480	
42	Maximum torque S.A.E. gross	lb-ft N-m	218	296
43		at r.p.m.	1,400	
44	Cylinder / displacement	cu in L	4 / 207.5	4 / 3.4
45	Transmission type		powershift	
46	Number of speeds forward / reverse		2 / 2	
47	Battery	volts	12	
48	Relief pressure for attachments	psi bar	2,770	191
49	Noise level – at operator's ear Leq	dB(A)	86.5	

SAFETY STANDARDS

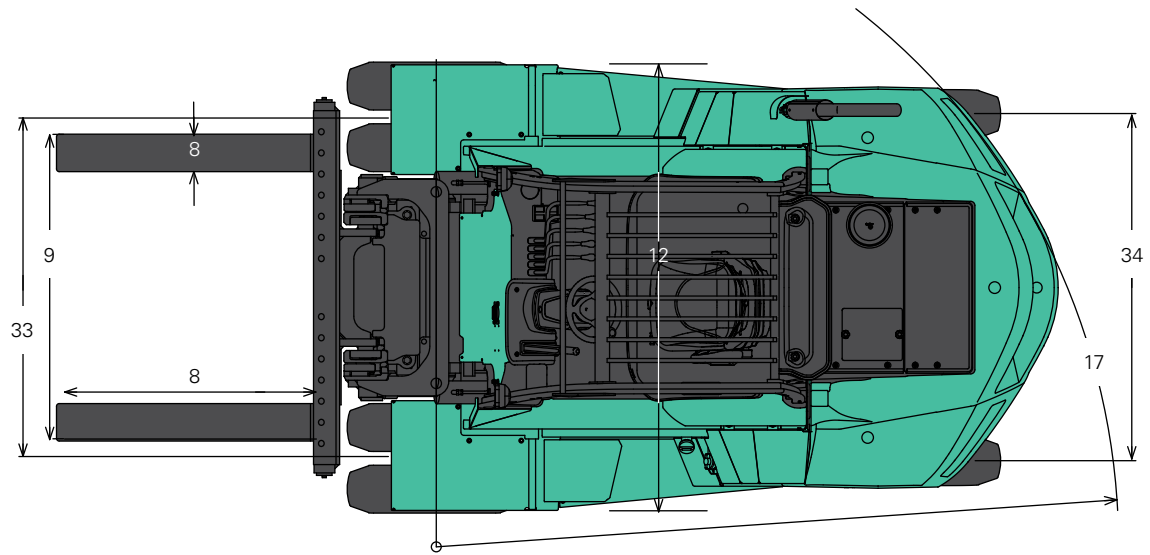
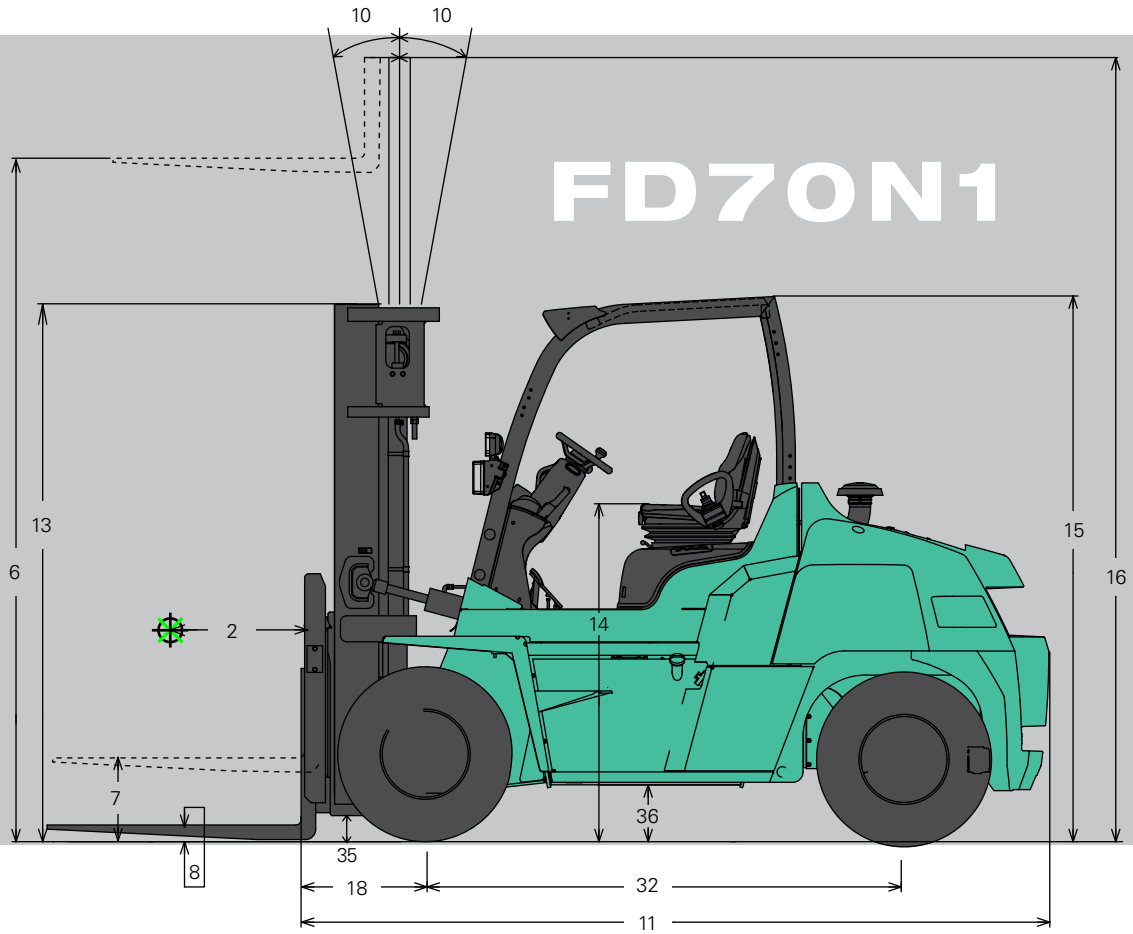
These trucks meet American National Standards Institute/ Industrial Truck Standards Development Foundation, ANSI/ITSDF B56.1. Users should be aware of, and adhere to, applicable codes and regulations regarding operator training, use, operation and maintenance of powered industrial trucks, including:

- ANSI/ITSDF B56.1.
- NFPA 505, fire safety standard for powered industrial trucks – type designations, areas of use, maintenance, and operation.
- Occupational Safety and Health Administration (OSHA) regulations that may apply.

Specifications, equipment, technical data, photos and illustrations based on information at time of printing and subject to change without notice. Some products may be shown with optional equipment.

[1] Heights with shaft type forks on a standard two-stage mast. Optional hook type forks will change dimensions slightly.

Call-out numbers shown in the diagram below correspond to the first column of the specifications chart.



FD70N1

15,500 LB CAPACITY PNEUMATIC TIRE FORKLIFT

Exceptional Value

More Than 296,000 Parts To Keep You Running

Mitsubishi Forklift Trucks offers several parts programs, all designed to bring you top performance and convenience for your material handling needs. Contact your local dealer to put our services to work for you.

Support To Fit Your Operation

Find out why more companies are relying on Mitsubishi forklift truck dealers to keep their fleet operating at top performance. Our efficiency provides customers with a better return on investment, and qualified service technicians, diverse parts inventory and unparalleled selection of service options can help reduce your total cost of ownership.

Extensive Dealer Network

The Mitsubishi forklift truck dealer network is dedicated to finding the right forklift solution for your business. With more than 300 dealer locations, you can rely on your local dealer to provide the service you need when you need it most.



Manufactured with superior quality and exceptional value, Mitsubishi forklift trucks are supported by an extensive dealer and field support network located throughout North and South America. Don't forget to ask your local Mitsubishi forklift truck dealer about details on factory retail programs, financing plans and additional options and dealer services like planned maintenance and operator training.