

ErgoPickers

EPH 125 DTFV / EPM 100 DTFV / EPM 100TV

1,250 kg high-level order picker with picking heights up to 12,100mm and 1,000 kg medium-level order picker with picking heights up to 9,850mm combine to provide great performance and productivity.



	0	Specification		EPH 125 DTFV	
Lift capacities	0a	Straddle leg position		Narrow	
	1	Lift capacity	Q	kg	1250
	1a	Load center	D	mm	400-600
	2	Lift height	H4	mm	6000-10500
	2a	Mast height	H3/H5	mm	H3 = H4/3+770, H5 = H4+2160
	2b	Transport free lift	H2 TV mast	mm	n/a
	2c	Full free lift	H2 DT mast	mm	n/a
	2d	Straddle lift		mm	n/a
	3	Mast tilt – forward / backward			n/a
	3a	Tilting forks – forward / backward			n/a
	4	Lift speed – without load / with load		m/s	0.44 / 0.36
	4a	Lift time – without load / with load		s	
	4b	Lift speed, ergolift – without load / with load		m/s	
	5	Lowering speed – without load / with load		m/s	0.41 / 0.45
5a	Lowering time – without load / with load		s		
Drive capacities	6	Drive speed – without load / with load		km/h	12 / 12
	6a	Drive speed – without load / with load		m/s	
		Acceleration 1-10m			
		Without load / with load		s	5.2 / 5.5
	8	Gradient – without load / with load	max	%	6.2
	10	Turning radius	R2	mm	2020
	11	Smallest practical stacking aisle incl. 200mm play			
		Load length 1200mm	Ast	mm	
		Load length 1000mm	Ast	mm	
		Load length 800mm	Ast	mm	
		Aisle width requirement according to BiTA GN9 UK market only	A1	mm	
			A2	mm	
			A3	mm	
		Smallest practical stacking aisle with pallet LL 1200 with the platform folded up / folded down	min	mm	
11a	Intersecting aisle width. Load length 1200mm	min	mm		
11c	Max. load length	LL	mm		
11d	Max. load width	LB	mm		
Truck measurements	13	Height of overhead guard	H6	mm	2356
	13a	Height of driver seat	H7	mm	215-H4
	13b	Step-in height	Y1	mm	215-H4
	13c	Floor height		mm	6000-10500
	13d	Width of open gate		mm	
	14	Truck length	L	mm	3290
	15	Truck width	B	mm	1170 / 1350
	15a	Width over guide wheels	A	mm	1348-1814
	15b	Width over stabilizers	S	mm	n/a
	15c	Platform length		mm	
	15d	Platform width	B3	mm	1150 / 1300 / 1500
	15e	Height of platform gates		mm	
	16	Fork length	L1	mm	1150
	17	Width over forks	V max/min	mm	450-800
	17a	Width between forks		mm	
	18	Reach length	U	mm	n/a
	19	Distance from back plate to retracted fork heel	L4 T-mast	mm	
		Distance from back plate to retracted fork heel	L4 DT-mast	mm	2139
	20	Fork arm width / thickness	B1	mm	147 / 70
	20a	Fork height – lowered max.	H1	mm	90
	21	Straddle height	H8	mm	175
	22	Width between straddles	B2	mm	n/a
	22a	Width over straddles		mm	n/a
	23	Distance between front axle and retracted fork heel	L2	mm	126
	23a	Distance between front axle and center of attachment	L2	mm	
	23b	Distance between front axle and heel of extended fork	X1	mm	
24	Axle distance	L3	mm	1760	
25	Wheel track, front rear (center lines wheels)		mm	1006 / 1186	
26	Ground clearance at half axle distance		mm	25	
Weights	27	Total weight with / without battery		kg	2720kg+97 x H(m) Min batt
	28	Max axle pressure, fork side, without / with classified load		kg	1590 / 3450 Min batt
	29	Max axle load, drive side, without / with classified load		kg	2220 / 1610 Min batt
	30	Max wheel point loading, without / with classified load		MPa	4.4 / 5.0
Motors	39	Battery capacity		kWh/Ah	Min 500 / Max 620
	39a	Battery voltage		V	48
	41	Drive motor		kW	5.9
	42	Speed regulation			AC traction
	43	Lift motor. Output / Interm. conn. time		kW-%/min	11
	43a	Hydraulic pressure		MPa	
	44	Wheel type, drive wheel / others			Vulcollan
44a	Number of wheels, drive / caster – load wheels			1x / 8	
Steering / brake system	45	Wheel dimensions			
	45a	Load wheels - diameter x width			150 x 55
	45b	Drive wheel – diameter x width			355 x 155
	45c	Caster wheels – diameter x width			n/a
	46	Steering			EL power steering
	47	Service brake – type-acting on			electric
	48	Parking brake – type-acting on			electric

* varies according to battery size

All rights reserved to change above specifications

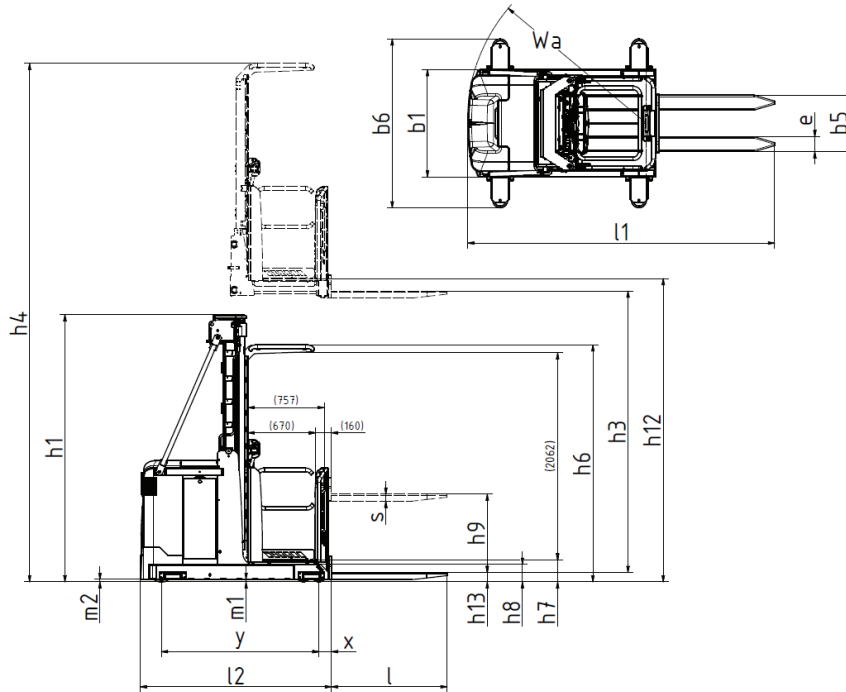
	0	EPM 100 DTFV	EPM 100 TV	
Lift capacities	0a	Narrow	Narrow	
	1	1000	1000	
	1a	400-600	400-600	
	2	5200-8250	3600-7400	
	2a	H3 = H4/3+637, H5=H4+2160	H3 =H4/2+592, H5 = H4+2140	
	2b	n/a	n/a	
	2c	n/a	n.a	
	2d	n/a	n/a	
	3	n/a	n/a	
	3a	n/a	n/a	
	4	0.37 / 0.26	0.32 / 0.21	
	4a			
	4b			
	5	0.43 / 0.45	0.4 / 0.4	
5a				
Drive capacities	6	11 / 11	11 / 11	
	6a	5.8 / 6.3	5.8 / 6.3	
	8	7.1	7.1	
	10	1790	1790	
	11			
	11a			
	11c			
	11d			
	Truck measurements	13	2356	2356
		13a	215-H4	215-H4
		13b	215-H4	215-H4
		13c	5100-8250	3500-7400
		13d		
		14	3135	3055
15		1070 / 1170	970 / 1070 / 1170	
15a		1248-1814	1148-1814	
15b		n/a	n/a	
15c				
15d		1050 / 1150 / 1300 / 1500	950 / 1050 / 1150 / 1300 / 1500	
15e				
16		1150	1150	
17		450-800	450-800	
17a				
18		n/a	n/a	
19			1903	
		1982		
20		147 / 70	147 / 70	
20a		90	90	
21		175	175	
22		n/a	n/a	
22a			n/a	
23		125	125	
23a				
23b				
24	1568	1568		
25	906 / 1006	806 / 906 / 1006		
26	25	25		
Weights	27	2060kg+91.5 x H4(m) Min batt	1850kg+96 x H4(m) Min batt.	
	28	1280 / 2860 Min batt.	1200 / 2750 Min batt.	
	29	1640 / 1060 Min batt.	1510 / 960 Min batt.	
	30	5.4 / 4.5		
Motors	39	Min 560 / Max 775	Min 560 / Max 775	
	39a	24	24	
	41	2.7	2.7	
	42	AC traction	AC traction	
	43	8 (20%)	8 (20%)	
	43a			
	44	Vulcollan	Vulcollan	
44a	1x / 8	1x / 8		
Steering / brake system	45			
	45a	150 x 55	150 x 55	
	45b	250 x 105	250 x 105	
	45c		n/a	
	46	EL power steering	EL power steering	
47	Electric	Electric		
48	Electric	Electric		

* varies according to battery size

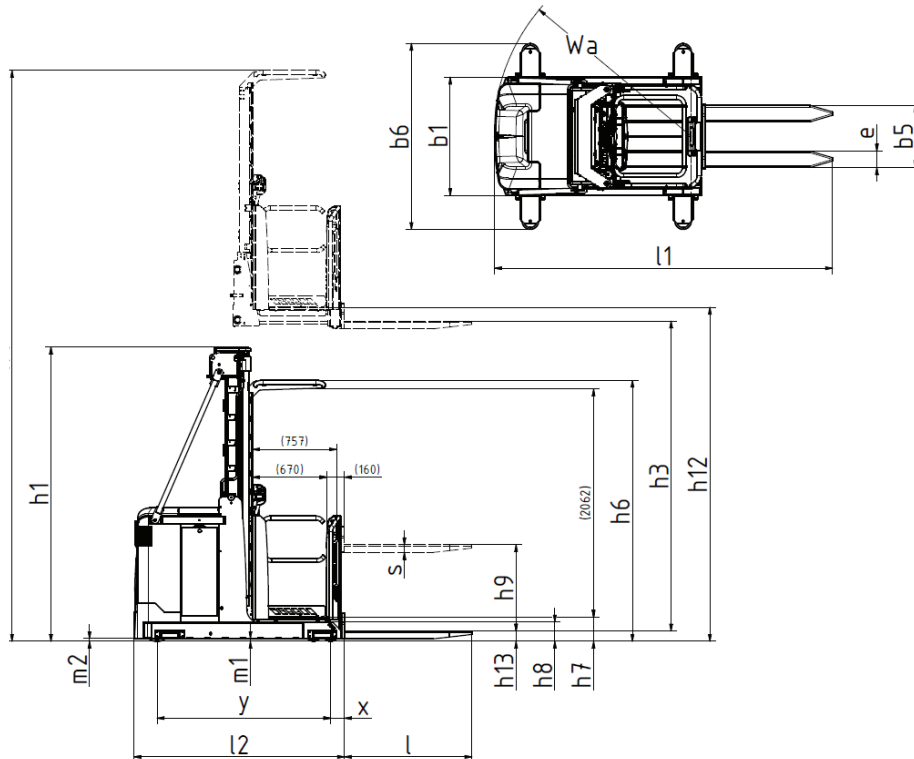
All rights reserved to change above specifications

Mast Type	Standard lift height H4	Min. mast height H3	Max. mast height H5
EPH 125 DTFV	6000	2770	8160
	6750	3020	8910
	7500	3270	9660
	8250	3520	10410
	9000	3770	11160
	9750	4020	11910
	10500	4270	12660
EPM 100 DTFV	5200	2370	7360
	5500	2470	7660
	6100	2670	8260
	6550	2820	8710
	7000	2970	9160
	7800	3237	9960
	8250	3387	10410
EPM 100 TV	3600	2392	5740
	4000	2592	6140
	4400	2792	6540
	4700	2942	6840
	5000	3092	7140
	5400	3292	7540
	5800	3492	7940
	6200	3692	8340
	6600	3892	8740
	7000	4092	9140
7400	4292	9540	

EPH 125 DTFV



EPM 100 DTFV / TV



UNICARRIERS
FORKLIFT

© 2021 Mitsubishi Logisnext Americas Inc. UniCarriers® is a registered trademark of Mitsubishi Logisnext Co., Ltd. Mitsubishi Logisnext Americas Inc. reserves the right to make product changes relating to colors, equipment, specifications or available options without notice. For more information, contact your UniCarriers representative.