

Pedestrian Power Pallet Trucks

PLF200-250 / PLR200-250 / PLS200-250

A high-performance low lift truck for loading/unloading, cross docking, transport applications, or order picking. Model designs include a fold-down platform, a rear-entry design and a side-entry design. Traction, damping and stability control systems provide excellent productivity and comfort.



	0	Specifications		PLF 200
Distinguishing mark	1.2	Manufacturer's type designation		
	1.3	Drive: electric (battery or mains), diesel, petrol, fuel gas		Electric
	1.4	Operator type: hand, pedestrian, standing, seated, order-picker, tow tractor		Pedestrian
	1.5	Load capacity/rated load	Q	t
	1.6	Load center distance	c	mm
	1.7	Rated drawbar pull	F	N
	1.8	Load distance, center of load axle to fork	X	
	1.9	Wheelbase	y	mm
	2.1	Service weight incl battery		kg
Weight	2.2	Axle load, with load, front / rear		kg
	2.3	Axle load, without load, front / rear		kg
	2.4	Axle load, fork outreached with load, front / rear		kg
	2.5	Axle load, fork retracted with load, front / rear		kg
	Tires, Chassis	3.1	Tires	
3.2		Tire size, drive side		mm
3.3		Tire size, load side		mm
3.4		Dimensions additional wheels (castor wheels)		mm
3.5		Wheels, number front/rear (drive side / load side, x = driven wheels)		
3.6		Track, drive side	b10	mm
3.7		Track, load side	b11	mm
Dimensions	4.1	Tilt of mast / fork carriage, forward / backward		Grad
	4.2	Height, mast lowered	h1	mm
	4.3	Free lift	h2	mm
	4.4	Lift height H = h13+h3	H	mm
	4.5	Height, mast extended	h4	mm
	4.6	Straddle lift	h5	mm
	4.7	Height of overhead guard (cabin)	h6	mm
	4.8	Seat height / stand height	h7	mm
	4.10	Height of wheel arms	h8	mm
	4.11	Additional lift	h9	mm
	4.12	Coupling height		mm
	4.14	Stand height, elevated	h12	mm
	4.15	Height lowered	h13	mm
	4.19	Overall length	l1	mm
	4.20	Length to face of forks	l2	mm
	4.21	Overall width	b1	mm
	421.1	Width over stabilizers		mm
	4.22	Fork dimensions	s/e/l	mm
	4.23	Fork carriage to ISO 2328, class / form A, B		mm
	4.24	Width of fork carriage	b3	mm
	4.25	Width over forks, min/max	b5	mm
	4.26	Distance between wheel arms	b4	mm
	4.27	Width across guide rolls	b6	mm
	4.28	Reach distance	l4	mm
	4.29	Reach lateral	b7	mm
	4.30	Reach lateral from vehicle centerline	b8	mm
	4.31	Ground clearance, mast	m1	mm
	4.32	Ground clearance, center of wheelbase	m2	mm
	4.33	Aisle width with pallet 1000 x 1200, crosswise (platform up/down)	Ast	mm
	4.34	Aisle width for pallet 800 x 1200, lengthwise (platform up/down)	Ast	mm
	4.35	Turning radius (platform up/down)	Wa	mm
	4.37	Length incl reach legs	l7	mm
4.38	Distance to swivelling-fork pivot	0	mm	
Performance data	5.1	Travel speed, with / without load		km/h
	5.1.1	Travel speed with / without load, backwards		km/h
	5.2	Lift speed, with / without load		m/s
	5.3	Lowering speed, with / without load		m/s
	5.4	Reach speed, with / without load		m/s
	5.7	Gradient, with / without load		%
	5.8	Max gradeability, with / without load, 5 min rating		%
	5.9	Acceleration time 0-10 m, with / without load		s
	5.10	Service brake: electric, hydraulic		
	5.10.1	Parking brake: electric, hydraulic		
Electric engine	6.1	Drive motor, rating S2 60 min		kW
	6.2	Lift motor		kW
	6.3	Battery according to DIN 43531/35/36	A,B,C	
	6.4	Battery voltage / Battery capacity		V/Ah
	6.5	Battery weight		kg
	6.6	Power consumption according to VDI cycle		kWh/h
Additional data	8.1	Speed regulation		AC
	10.1	Operating pressure attachments		bar
	10.2	Oil flow for attachments		l/min
	10.7	Noise level at operator's ear, according to EN 12 0		db(A)
11.1	Notes			

*varies according to battery size

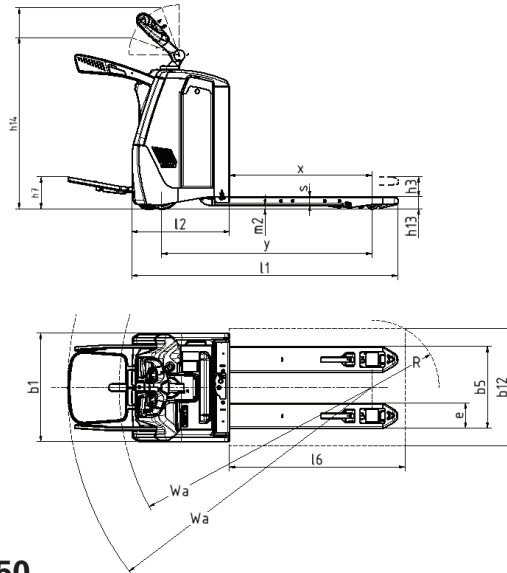
All rights reserved to change above specifications

	0	PLF 250	PLR 200	PLR 250	PLS 200	PLS 250
Distinguishing mark	1.2					
	1.3	Electric	Electric	Electric	Electric	Electric
	1.4	Pedestrian	Standing	Standing	Standing	Standing
	1.5					
	1.6	2500	2000	2500	2000	2500
	1.7	600	600	600	600	600
	1.8					
	1.9	913	913	913	913	913
	2.1	1375	1375	1375	1375	1375
Weight	2.2	750kg	820kg	820kg	800kg	800kg
	2.3	1128 / 2129	1216 / 1691	1207/2110	1202 / 1688	1193 / 2107
	2.4		648 / 169	648/169	634 / 166	634 / 166
	2.5					
	Tires, Chassis	3.1	Vulkollan	Vulkollan	Vulkollan	Vulkollan
3.2		235x75	235x75	235x75	235x75	235x75
3.3		85x95 (bogie)	85x95 (single) 85x75 (bogie)	85x75 (bogie)	85x95 (single) 85x75 (bogie)	85x75 (bogie)
3.4		150x60	150x60	150x60	150x60	150x60
3.5		1x2/4 (bogie)	1+2 / 2 (single) 1+ 2 / 4	1 x 2 / 4 (bogie)	1 + 2 / 2	1 x 2 / 4 (bogie)
3.6		520	520	520	520	520
3.7		385	385	385	385	385
Dimensions	4.1					
	4.2					
	4.3					
	4.4	220	220	220	220	220
	4.5					
	4.6					
	4.7					
	4.8	219	170	170	170	170
	4.10					
	4.11					
	4.12					
	4.14					
	4.15	85	85	85	85	85
	4.19	1880 / 2256	292	2292	2292	2292
	4.20	730 / 1106	1141	1141	1141	1141
	4.21	740	740	740	740	740
	421.1					
	4.22	1150 / 175 / 60	1150 / 175 / 60	1150 / 175 / 60	1150 / 175 / 60	1150 / 175 / 60
	4.23					
	4.24					
	4.25	560 (min 480 / max 640)	560 (min 480 / max 640)	560 (min480 / max 640)	560 (min480 / max 640)	560 (min 480 / max 640)
	4.26					
	4.27					
	4.28					
	4.29					
	4.30					
	4.31					
	4.32	25	25	25	25	25
	4.33	2472 / 2825	2865	2865	2865	2865
	4.34	2358/2711	2751	2751	2751	2751
	4.35	1666 / 2019	2059	2059	2059	2059
	4.37					
4.38						
Performance data	5.1	10 / 10 (opt 10.5 / 12.5)	10 / 10 (opt 10.5 / 12.5)	10 / 10 (opt 10.5 / 12.5)	10 / 10 (opt 10.5 / 12.5)	10 / 10 (opt 10.5 / 12.5)
	5.1.1					
	5.2	0.06 / 0.09	0.07 / 0.09	0.06 / 0.09	0.07 / 0.09	0.06 / 0.09
	5.3	0.11 / 0.09	0.12 / 0.09	0.11 / 0.09	0.12 / 0.09	0.11 / 0.09
	5.4					
	5.7					
	5.8	11 / 22	13 / 15	11 / 15	13 / 15	11 / 15
	5.9	6.1 / 5.3				
	5.10	Electric	Electric	Electric	Electric	Electric
	5.10.1	EL - drive motor	EL - drive motor	EL - drive motor	EL - drive motor	EL - drive motor
Electric engine	6.1	2.4	2.4	2.4	2.4	2.4
	6.2	2.2 (5%)	2.2 (5%)	2.2 (5%)	2.2 (5%)	2.2 (5%)
	6.3					
	6.4	24 (min 222 - max 300)	24 (min 222 - max 300)	24 (min 222 - max 300)	24 (min 222 - max 300)	24 (min 222 - max 300)
	6.5	min 250 - max 300	min 250 - max 300	min 250 - max 300	min 250 - max 300	min 250 - max 300
	6.6	0.42				
Additional data	8.1	AC	AC	AC	AC	AC
	10.1					
	10.2					
	10.7	64				
11.1						

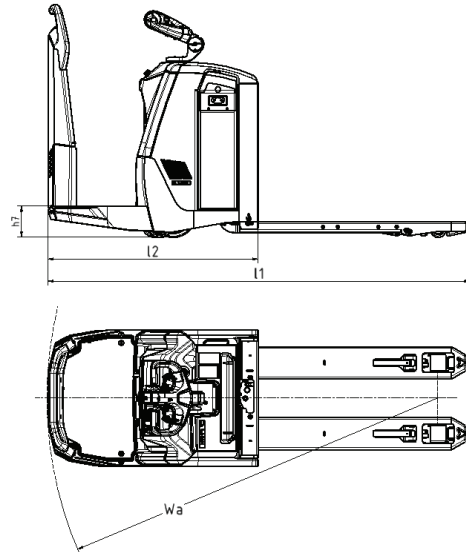
*varies according to battery size

All rights reserved to change above specifications

PLF 200-250s



PLR 200-250



PLS 200-250

