

Runs 2 Shifts on 1 Battery Charge -
Guaranteed

Precise operation of travel and hydraulics with
enhanced multifunction control handle

New rigid mast results in excellent load
stability and capacity retention at higher
heights

Spacious operator compartment with
extensive body padding for comfort, flexibility
and functionality

Informative display panel



ETR 230 / 235 / 340 / 345 / 335d

36 Volt Electric Pantograph Reach Trucks (3,000 - 4,500 lbs.)

The ETR 230 / 235 / 340 / 345 single reach trucks and ETR 335d deep reach trucks boast strong performance – moving more pallets per hour and lowering overall cost of ownership – while keeping operators comfortable and productive.

- **High energy efficiency** – Run two shifts on one battery charge – The industry-exclusive Jungheinrich “2 Shifts, 1 Charge” program guarantees that the ETR series will run for two full shifts on one battery charge – with no interim charging, no battery changing and no additional charging equipment needed.

The key advantages:

- **Higher performance** – one of the fastest in the industry, the reach truck’s hydraulic system reaches a lifting speed of up to 165 feet per minute – helping your operators move more pallets in less time.

- **Greater productivity** – the ETR series can run up to two shifts on one battery charge, helping your operators get the most out of their workday.
- **Premium ergonomics** – operators are more relaxed and productive largely due to the ergonomic compartment that minimizes operator fatigue. From the low entry and exit step, to the intuitive, multifunctional control handle, there are several standard features that make this well-designed reach truck beneficial for the operator. Productivity can be just as high in the last hour of the shift as in the first.
- **Improved awareness** – All information is immediately accessible on the easy-to-read operator display. Operators can select from three pre-programmed drive and hydraulic performance modes,

allowing them to customize the truck for a particular application or operator skill level.

- **Heavy-duty mast** – the Jungheinrich® ETR series features an enhanced-visibility, heavy-duty mast with durable rollers and mast rails designed to meet your most demanding applications. Combined with cushioning in mast staging functions, operators can precisely and securely position loads at all lift heights.
- **Space-saving design** – these reach trucks deliver greater productivity in applications where space is at a premium, such as narrow aisles and at high lift heights. Operators can also customize the drive and hydraulic settings to suit the application and their level of experience.

**JUNGHEINRICH®**

Technical Data

Characteristics	1 Model		ETR 230		ETR 235		ETR 340				
	2 Type		Single Reach		Single Reach		Single Reach				
3	Power voltage		36		36		36				
4	Capacity at rated load center	lb	kg	3,000	1,400	3,500	1,600	4,000	1,810		
5	Capacity load center – distance from fork face	in	mm	24	600	24	600	24	600		
Dimensions	6	Maximum fork height	in	mm	242	6,145	242	6,145	242	6,145	
	7	Free fork height	in	mm	59	1,500	59	1,500	59	1,500	
	8	Fork width	in	mm	3.9	100	3.9	100	3.9	100	
	9	Fork thickness	in	mm	1.4	35	1.4	35	1.6	40	
	10	Fork spacing - out-to-out minimum	in	mm	12	305	12	305	12	305	
	11	Fork spacing - out-to-out maximum ¹⁾	in	mm	31.5	802	31.5	802	31.5	802	
	12	Tilt angle - forward / backward	deg		3° / 4°		3° / 4°		3° / 4°		
	12a	Reach stroke	in	mm	24	610	24	610	24	610	
	13	Mast width ²⁾	in	mm	30.2	766	30.2	766	32.2	816	
	14	Baseleg opening	in	mm	33 - 49	839 - 1,245	33 - 49	839 - 1,245	33 - 49	839 - 1,245	
	15	Baseleg width ³⁾	in	mm	5.5	140	5.5	140	5.5	140	
	16	Overall length	in	mm	74.1	1,882	76.1	1,932	76.1	1,932	
	17	Length to fork face	in	mm	52	1,321	55	1,397	55	1,397	
	18	Overall chassis width	in	mm	41.5	1,054	41.5	1,054	41.5	1,054	
	19	Overall lowered height	in	mm	107	2,720	107	2,720	107	2,720	
	20	Overall height to top of overhead guard	in	mm	95	2,413	95	2,413	95	2,413	
	21	Overall height with extended mast	in	mm	290	7,370	290	7,370	290	7,370	
	22	Step height	in	mm	9.8	250	9.8	250	9.8	250	
	23	Battery roller height	in	mm	7	178	7	178	7	178	
	24	Minimum outside turning radius	in	mm	68.74	1,746	70.74	1,797	70.74	1,797	
	25	Minimum aisle - 90° stack - zero clearance	in	mm	Please consult your Jungheinrich dealer						
	26	Load wheel centerline ⁴⁾	in	mm	5.3	133	5.3	133	5.3	133	
	Performance	27	Grade clearance ⁵⁾	%		13		13		15.5	
		28	Travel speed loaded/empty – standard ⁶⁾	mph	km/h	6.8 / 7.5	11.0 / 12.1	6.8 / 7.5	11.0 / 12.1	7.5 / 7.5	12.1 / 12.1
		29	Travel speed loaded / empty – high performance ⁶⁾	mph	km/h	–	–	–	–	7.5 / 8.0	12.1 / 12.9
		30	Lift speed loaded / empty – standard	fpm	m/s	100 / 128	0.51 / 0.65	100 / 128	0.51 / 0.65	75 / 120	0.38 / 0.60
31		Lift speed loaded / empty – high performance	fpm	m/s	–	–	–	–	90 / 165	0.45 / 0.84	
32		Lower speed loaded / empty – standard	fpm	m/s	108 / 108	0.55 / 0.55	108 / 108	0.55 / 0.55	110 / 110	0.55 / 0.55	
33		Lower speed loaded / empty – high performance	fpm	m/s	–	–	–	–	110 / 110	0.55 / 0.55	
34		Gradeability - loaded / empty - maximum	%		9 / 9		9 / 9		9 / 9		
Weight	35	Truck weight - empty - without battery	lb	kg	6,850	3,100	6,850	3,100	7,050	3,200	
	36	Battery weight - min	lb	kg	1,800	910	1,800	910	2,000	910	
	37	Battery weight - max	lb	kg	2,300	1,050	2,300	1,050	2,300	1,050	
Wheels, Chassis	38	Chassis type (stand/sit)	Stand		Stand		Stand				
	39	Wheelbase	in	mm	59.5	1,511	61.5	1,562	61.5	1,562	
	40	Ground clearance - center of wheelbase	in	mm	2.4	61	2.4	61	2.4	61	
	41	Ground clearance - lowest point at mast	in	mm	2.4	61	2.4	61	2.4	61	
	42	Tire size - steer	in	mm	13.5 x 5.5	343 x 140	13.5 x 5.5	343 x 140	13.5 x 5.5	343 x 140	
	43	Tire size - caster	in	mm	7 x 4	180 x 100	7 x 4	180 x 100	7 x 4	180 x 100	
	44	Tire size - load wheels	in	mm	5 x 3.62	127 x 92	5 x 3.62	127 x 92	5 x 3.62	127 x 92	
	45	Brake type	Electromagnetic Disc		Electromagnetic Disc		Electromagnetic Disc				
Motors	46	Traction / pump / steer motor type	AC Induction		AC Induction		AC Induction				
	47	Traction motor output (60 minute rating) – standard	hp	kW	6.0	4.5	6.0	4.5	6.0	4.5	
	48	Traction motor output (60 minute rating) – high performance	hp	kW	–	–	–	–	9.2	6.9	
	49	Pump motor output (5 minute rating)	hp	kW	27.2	20	27.2	20	27.2	20	
	50	Steer motor output (60 minute rating)	hp	kW	1.0	0.7	1.0	0.7	1.0	0.7	
Other	51	Battery maximum capacity - (6 hour rating)	A/H		1,120		1,120		1,120		
	52	Battery compartment length ⁷⁾	in	mm	14.25	362	16.25	413	16.25	413	
	53	Battery compartment width	in	mm	38.42	976	38.42	976	38.42	976	
	54	Battery compartment height	in	mm	31.65	804	31.65	804	31.65	804	

1) Maximum fork spacing 27.5 inches (698 mm) with 33 inch BLO.

2) Out-to-out dimension across mast outer channels.

3) 5.9 inches (150 mm) on single reach trucks with MFH over 332 inches (8430 mm).

4) 7.3 inches (186 mm) on single reach trucks with mast MFH above 332 inches (8430 mm).

5) Reduce grade clearance by 1.5% with 18.25 inch (463 mm) battery compartment length or 21.25 inch (539 mm) battery compartment length vs. 16.25 inch (412 mm) length.

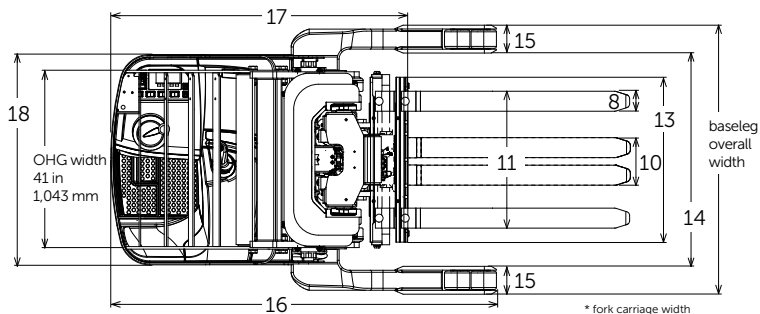
6) Maximum speed attainable, after break-in period, varies with truck travel direction, weight, rolling resistance, mast height, options and battery condition.

7) 21.25 inch (539 mm) battery compartment length standard on chassis with MFH over 332 inches (8430 mm).

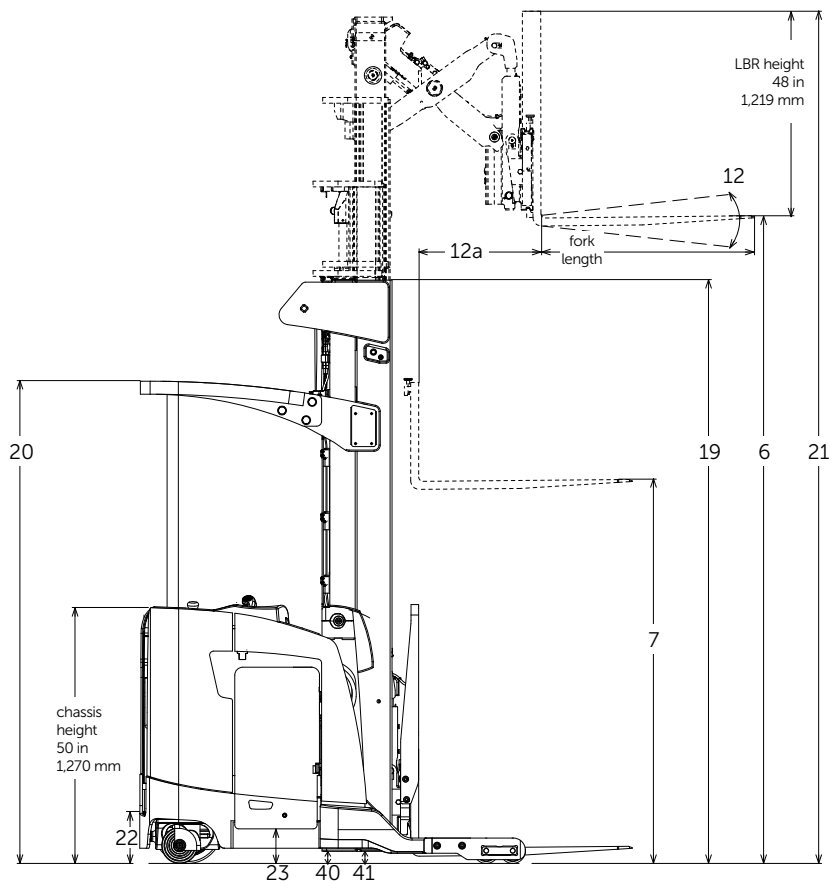
as of: 03/2015

ETR 230 / 235 / 340 / 345 / 335d

	ETR 345		ETR 335d	
	Single Reach		Deep Reach	
	36		36	
4	4,500	2,040	3,500	1,580
5	24	600	24	600
6	242	6,145	242	6,145
7	59	1,500	59	1,500
8	3.9	100	3.9	100
9	1.6	40	1.4	35
10	12	305	12	305
11	31.5	802	31.5	802
12	3° / 4°		3° / 4°	
12a	24	610	42	1,067
13	32.2	816	32.2	816
14	33 - 49	839 - 1,245	33 - 49	839 - 1,245
15	5.5	140	5	127
16	76.1	1,932	78.1	1,983
17	55	1,397	62.3	1,582
18	41.5	1,054	41.5	1,054
19	107	2,720	107	2,720
20	95	2,413	95	2,413
21	290	7,370	290	7,370
22	9.8	250	9.8	250
23	7	178	7	178
24	70.74	1,797	70.74	1,797
25	Please consult your Jungheinrich dealer			
26	5.3	133	5.3	133
27	15.5		15.5	
28	7.5 / 7.5	12.1 / 12.1	7.5 / 7.5	12.1 / 12.1
29	7.5 / 8.0	12.1 / 12.9	7.5 / 8.0	12.1 / 12.9
30	75 / 120	0.38 / 0.60	75 / 120	0.38 / 0.60
31	90 / 165	0.45 / 0.84	90 / 165	0.45 / 0.84
32	110 / 110	0.55 / 0.55	110 / 110	0.55 / 0.55
33	110 / 110	0.55 / 0.55	110 / 110	0.55 / 0.55
34	9 / 9		9 / 9	
35	7,050	3,200	7,400	3,350
36	2,000	910	2,000	910
37	2,300	1,050	2,300	1,050
38	Stand		Stand	
39	61.5	1,562	61.5	1,562
40	2.4	61	2.4	61
41	2.4	61	2.4	61
42	13.5 x 5.5	343 x 140	13.5 x 5.5	343 x 140
43	7 x 4	180 x 100	7 x 4	180 x 100
44	5 x 3.62	127 x 92	5 x 3.62	127 x 92
45	Electromagnetic Disc		Electromagnetic Disc	
46	AC Induction		AC Induction	
47	6.0	4.5	6.0	4.5
48	9.2	6.9	9.2	6.9
49	27.2	20	27.2	20
50	1.0	0.7	1.0	0.7
51	1,120		1,120	
52	16.25	413	16.25	413
53	38.42	976	38.42	976
54	31.65	804	31.65	804



* fork carriage width
32.5 in
825 mm



Add 9.1 in (230mm) for extended operator backrest

The Jungheinrich Advantage

Enhanced visibility, heavy-duty mast

Jungheinrich masts provide excellent visibility to high lift heights.

- The sturdy mast and narrow, angled overhead guard promote excellent visibility to the load even in high stacking applications.
- The smooth mast staging and mast cushioning improve overall material handling performance by reducing the risk of damaging loads, racks and surroundings.
- Shim-adjustable canted mast rollers.
- Heavy, interlocking mast rails.
- Optional integral sidsifter helps improve maneuverability.
- Fork heights up to 450 inches.



Overhead guard visibility

Spacious and ergonomic operator compartment

The spacious operator compartment combines comfort and functionality to improve operator efficiency.

- Location of operator controls allows for a flexible side stance position within the compartment.
- Low-effort electric power steering for precise control with minimal effort.
- Highly-informative display provides the operator with vital information to remain productive throughout the shift.
- Anti-fatigue floor mat and generous padding for knees, hips, back and armrest.
- Storage space for operator's equipment, paperwork and materials.

Multifunction control handle

The intuitive, multifunction control handle is centrally positioned for easy access to truck functions.

- Maximum efficiency through simultaneous operation of travel, lift and auxiliary hydraulic functions.
- Rounded palm rest helps reduce operator fatigue over long shifts.



Multifunction control handle

Customized programming

Performance profiling allows you to customize the reach truck's drive and hydraulic settings based on your application, individual operator experience level and personal preferences. All display-based programming, performance and information requests can be performed with easily-accessible buttons.



Operator compartment

Operator control panel

The easy-to-read display panel provides the operator with key information to complete his day-to-day tasks.

- Battery discharge indicator
- 180° / 360° steer direction indicator
- Parking brake indicator
- Clock
- Hour meter
- Performance mode selector (1-3)

Powerful Jungheinrich AC technology

3-phase AC technology for drive, lift and steering offers several advantages over traditional direct current motors.

- Rapid acceleration and precise speed control.
- Smooth directional changes.
- Greater uptime due to maintenance-free motors without carbon brushes.
- Longer operating times due to energy reclamation during braking.

Parts when you need them

Jungheinrich's Parts Fast or Parts Free Guarantee ensures next-business-day delivery by 5:00 PM of all Jungheinrich parts in the United States, or they're free, including freight. For customers in Canada and Mexico, the guarantee ensures shipping of parts within 24 hours from the time the order was placed by the dealer. See your local Jungheinrich dealer for program details.

* Programs may be subject to change without notice and may vary by region. Please ask your local Jungheinrich dealer for complete terms and conditions.