

Effortlessly control hydraulic functions with levers conveniently mounted in the dashboard.

Optimize performance and efficiency with pre-set operating modes.

Operator presence system alerts operator to potentially hazardous situations.

Premium, standard, full-suspension seat offers the most comfortable seating position possible.

Industry-leading, 500-hour extended service intervals.



EFG C15-EFG C18L

Electric Cushion Tire Lift Trucks (3,000-4,000 lbs.)

The Jungheinrich® EFG C15-EFG C18L models of sit-down electric counterbalanced lift trucks are an ideal material handling solution across a wide range of heavy-duty industrial applications. With the latest in operator awareness, advanced AC technology and ergonomics, the EFG C15 - EFG C18L models provides your operators with the confidence and productivity they need from shift to shift.

The key advantages:

- **Optimized runtime on one battery charge** - The EFG C15 - EFG C18L runs longer without sacrificing on performance due to Jungheinrich's advanced 3-phase AC technology and regenerative braking.

- **Higher performance, reduced maintenance costs** - AC motors require no carbon brushes or commutator, which eliminates unnecessary replacement costs, reduces service needs and allows for longer operating times.
- **Adaptable performance modes** - Optimize your performance and efficiency by simply selecting one of the pre-set operating modes. Profits are maximized by achieving the right balance between output and economy.
- **Optimal visibility** – Operators have excellent visibility to the fork tips due to the low-profile dashboard. The overhead guard's clean design also provides added visibility while stacking.

- **Operator awareness** - The 4" full-color display shows vital information you need to perform the task at hand. The integrated operator presence system alerts the operator to potentially hazardous situations, while increasing awareness.
- **Industry-leading ergonomics** – The EFG C15 - EFG C18L models features a spacious, ergonomic compartment and low-profile steering column for greater comfort and productivity.

The full-suspension, standard vinyl seat can be easily adjusted to suit operators' unique preferences. Additionally, the narrow steering column design includes full-hydrostatic steering for more precise control during operation.

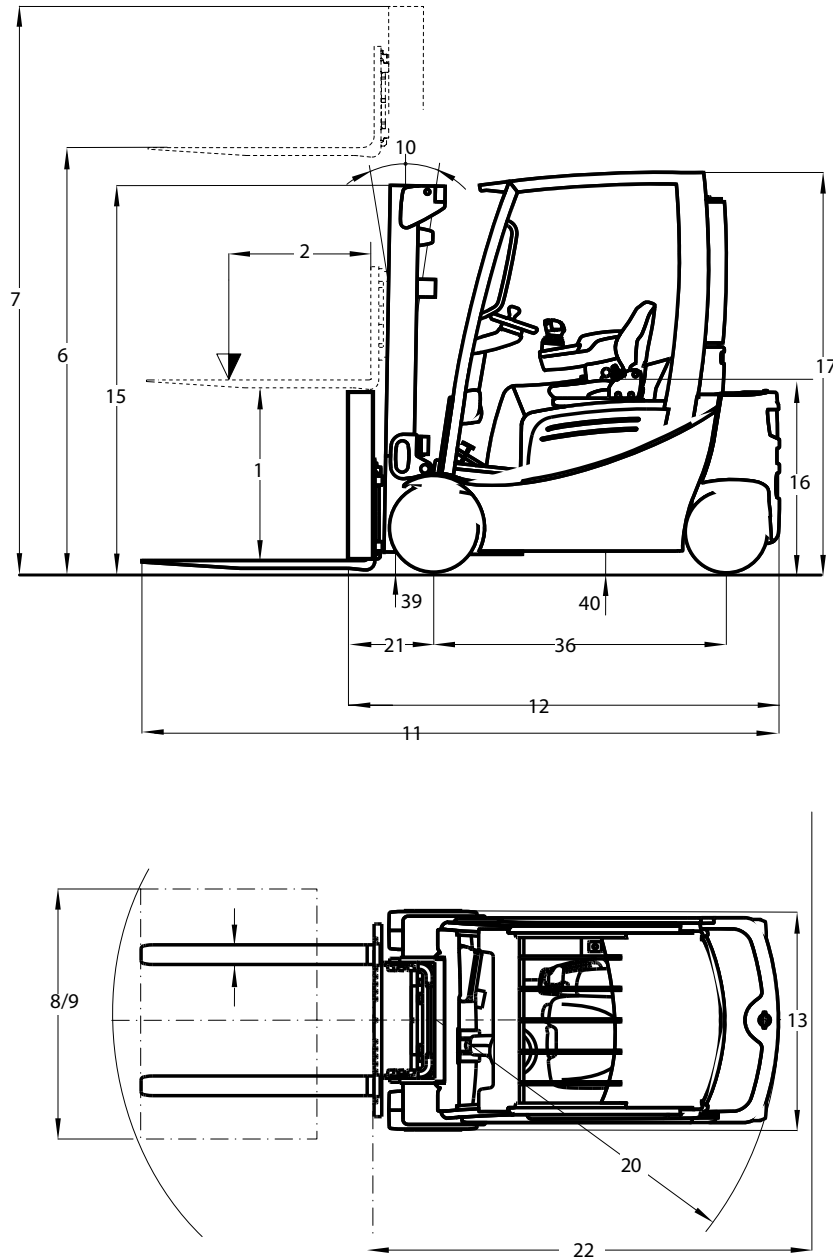
 **JUNGHEINRICH®**

Technical data

as of: 04/2019

Characteristics	Brand			Jungheinrich		Jungheinrich		Jungheinrich			
	Model			EFG C15		EFG C18		EFG C18L			
1	Capacity at rated load center	lb	kg	3,000	1,500	3,500	1,800	4,000	1,800		
2	Load center -- distance	in	mm	24	500	24	500	24	600		
3	Power – diesel, gasoline, LP gas, electric	Electric			Electric			Electric			
4	Tire type – cushion, solid pneumatic	Cushion			Cushion			Cushion			
5	Wheels (x=driven) number front / rear	2x / 2			2x / 2			2x / 2			
Dimensions	6	Maximum fork height (top of forks)	in	mm	130.7	3,320	130.7	3,320	130.7	3,320	
	7	Free lift	in	mm	4.5	115	4.5	115	4.5	115	
	8	Forks – thickness x length x width	in	mm	1.4x42x3.9	35x 1,070x 100	1.4x42x3.9	35x 1,070x 100	1.4x42x3.9	35x 1,070x 100	
	9	Fork spacing – out-to-out minimum / maximum	in	mm	9.4 / 32	240 / 818	9.4 / 32	240 / 818	9.4 / 32	240 / 818	
	10	Tilt – forward / backward	deg			5.0° / 6.0°		5.0° / 6.0°		5.0° / 6.0°	
	11	Overall length (with 42" long forks)	in	mm	120.0	3,050	120.0	3,050	123.0	3,125	
	12	Length to fork face (includes fork thickness)	in	mm	78.0	1,980	78.0	1,980	81.0	2,055	
	13	Overall width with single tires	in	mm	37.0	947	37.0	947	39.0	995	
	14	Overall width with wide stance tires	in	mm	39.0	996	39.0	996	41.0	1,045	
	15	Height to top of lowered mast	in	mm	83.1	2,110	83.1	2,110	83.1	2,110	
	16	Seat height to SIP	in	mm	40.3	1,023	40.3	1,023	40.3	1,023	
	17	Height to top of overhead guard	in	mm	86.0	2,180	86.0	2,180	86.0	2,180	
	18	Drawbar pin height	in	mm	9.2	234	9.2	234	9.2	234	
	Performance	19	Height with mast raised	in	mm	179.2	4,550	179.2	4,550	179.2	4,550
20		Minimum outside turning radius	in	mm	70.5	1,790	70.5	1,790	72.5	1,840	
21		Load distance, axle to fork face	in	mm	14.8	376	14.8	376	14.8	376	
22		Minimum aisle – 90° stack - zero clearance without load	in	mm	85.0	2,165	85.0	2,165	87.5	2,220	
23		Travel speed – loaded / empty (36 volt)	mph	km/h	10.2 / 11.2	16.4 / 18.0	9.3 / 10.8	14.9 / 17.3	9.3 / 10.8	14.9 / 17.3	
24		Travel speed – loaded / empty (48 volt)	mph	km/h	11.3 / 11.3	18.2 / 18.2	11.3 / 11.3	18.2 / 18.2	11.3 / 11.3	18.2 / 18.2	
25		Lift speed – loaded / empty (36 volt)	fpm	m/s	78.7 / 110.2	0.40 / 0.56	74.8 / 110.2	0.38 / 0.56	70.9 / 110.2	0.36 / 0.56	
26		Lift speed – loaded / empty (48 volt)	fpm	m/s	98.4 / 129.9	0.50 / 0.66	94.5 / 129.9	0.48 / 0.66	90.6 / 129.9	0.46 / 0.66	
27		Lowering speed – loaded / empty	fpm	m/s	98.4 / 80.7	0.50 / 0.41	98.4 / 80.7	0.50 / 0.41	98.4 / 80.7	0.50 / 0.41	
28		Gradeability – loaded at 1 mph (1.6 kmh) (36 volt)*	%		24		21		21		
29		Gradeability – loaded at 1 mph (1.6 kmh) (48 volt)*	%		25		22		22		
30		Maximum gradeability – loaded / empty	%		15 / 23		15 / 19		15 / 18		
Weight		31	Empty – with minimum weight battery	lb	kg	6,270	2,845	6,790	3,085	7,370	3,345
		32	Axle load – with rated load (front / rear)	lb	kg	8,030 / 1,240	3,750 / 595	8,770 / 1,520	4,200 / 685	9,445 / 1,925	4,250 / 895
	33	Axle load – without rated load (front / rear)	lb	kg	2,500 / 3,770	1,125 / 1,720	2,320 / 4,470	1,050 / 2,035	2,070 / 5,300	950 / 2,395	
Chassis	34	Tire size – front, standard duals	in	mm	18.0x6.0x12.2	457x152x308	18.0x6.0x12.2	457x152x308	18.0x7.0x12.2	457x178x308	
	35	Tire size – rear	in	mm	14.0x5.0x10.0	356x127x254	14.0x5.0x10.0	356x127x254	14.0x5.0x10.0	356x127x254	
	36	Wheelbase	in	mm	46.0	1,170	46.0	1,170	46.0	1,170	
	37	Tread width – front, standard tires	in	mm	31.0	793	31.0	793	32.0	818	
	38	Tread width – rear tires	in	mm	32.3	820	32.3	820	32.3	820	
	39	Ground clearance – at lowest point at mast	in	mm	3.0	75.0	3.0	75.0	3.0	75.0	
	40	Ground clearance – at center of wheelbase	in	mm	3.9	100	3.9	100	3.9	100	
	41	Service brakes	type		foot-operated, hydraulic		foot-operated, hydraulic		foot-operated, hydraulic		
	42	Parking brakes	type		foot-operated, mechanical		foot-operated, mechanical		foot-operated, mechanical		
	Electrical	43	Battery type	lead-acid			lead-acid			lead-acid	
44		Battery capacity at 6 hr. discharge rate (36 volt)	Ah	kWh	880	31.7	880	31.7	880	31.7	
45		Battery capacity at 6 hr. discharge rate (48 volt)	Ah	kWh	770	37.0	770	37.0	770	37.0	
46		Battery weight, minimum	lb	kg	1,650	750	1,650	750	1,650	750	
47		Battery weight, maximum	lb	kg	2,650	1,200	2,650	1,200	2,650	1,200	
48		Battery compartment size, maximum	in	mm	27.8x35.8x23.3	708x906x592	27.8x35.8x23.3	708x906x592	27.8x35.8x23.3	708x906x592	
49		Drive motor capacity (60 min. rating) (36 / 48 volt)	HP	kW	8.3 / 9.1	6.2 / 6.8	8.3 / 9.1	6.2 / 6.8	8.3 / 9.1	6.2 / 6.8	
50		Lift output (15% rating) (36 / 48 volt)	HP	kW	15.4	11.5	15.4	11.5	15.4	11.5	
51		Drive / hydraulic controls	type		AC transistor		AC transistor		AC transistor		
52		Relief pressure for attachments	PSI	Mpa	2,277	15.7	2,277	15.7	2,277	15.7	
53		Flow rate for attachments	gpm	lpm	14.5	55	14.5	55	14.5	55	

EFG C15 - EFG C18L



Note: Equipping this model (these models) with a power source (e.g. Lithium-ion, Hydrogen Fuel cell, etc.) that has not been previously approved by the factory is considered a modification. Per OSHA 1910.178 and ANSI/ITSDF B56.1, please consult with your factory representative prior to installing any non-OEM power source that has not been previously approved.

The Jungheinrich Advantage



20-degree Tilt Steering Column



4" Full Color Display



Optional USB port

Spacious operator compartment

The spacious operator compartment combines comfort and functionality for improved operator efficiency.

- Steering-column-mounted directional control lever.
- Low profile dashboard for excellent visibility to the fork tips.
- USB port (optional).
- Full-hydrostatic steer axle with tapered roller bearings.
- 4" full-color intuitive display.
- 20-degree tilt steering column.
- 15-inch-long operator grab handle.
- Emergency battery disconnect button turns off the entire truck, including hydraulic functions.
- Storage space for operator's equipment.

Advanced operator display

The easy-to-read control panel displays the vital information you need to perform daily tasks, including:

- Speed indicator.
- 360° steer direction indicator.
- Battery discharge indicator.
- Informational and warning icons.
- Parking brake indicator.
- Time and date display.
- Hour meter.
- Crawl speed indicator.
- Thermal limit indicator.
- Maintenance reminder.
- Trip meter.

Easy to service

1-877-JH-FORKS
www.mcfa.com/jungheinrich

Easily removable floor and rear access panels, make accessing the motors and major components simple – saving you time and money.

- 500-hour extended service intervals
- Display-based maintenance reminders
- Tool-free access to key service components

Battery side extraction method

- Side Rail Extraction (optional)

Styling / ergonomics

The design of the Jungheinrich EFG C15 - EFG C18L offers optimal visibility. This allows for operators to easily perform racking and stacking operations across a wide-range of applications.

- Low profile cowl design and narrow steering column.
- Rerouted wiring integrated into the overhead guard.
- Excellent visibility through the mast and overhead guard.

Customized programming

Performance profiling allows you to customize drive and hydraulic settings based on the specific application, individual operator experience level and personal preferences. All performance requests, information queries and display-based programming can be performed with easily accessible buttons.

Powerful efficiency

The two-stage hydraulic system determines the optimum motor speed, resulting in reduced energy consumption and longer run times. Key features:

- Advanced AC motors
- Optimized regenerative braking system

Wide variety of options

Special option packages include:

- Drive-in rack option.
- Freezer packages for intermittent use below 14 degrees Fahrenheit.
- Electronic back-up "smart" alarm, ideal for freezer and cold applications.
- Foot directional control.
- Steering wheel knob.
- A wide variety of lighting packages for different applications
- U.L. type ES, EE ratings.

Lithium-Ion Availability:

- Greater power efficiency
- Run for 24 hours a day, 7 days a week with opportunity charging
- Zero battery maintenance
- No watering
- No more battery exchanges
- No gas emissions, odor or acidification
- No special charging areas or equipment needed
- Longer lasting life cycles (up to 3,000)
- 5-year warranty on batteries
- 2-year warranty on chargers

Parts when you need them*

Jungheinrich's Parts Fast or Parts Free Guarantee ensures next-business day delivery by 5:00 PM of all Jungheinrich parts in the United States, or they're free, including freight. For customers in Canada and Mexico, the guarantee ensures shipping of parts within 24 hours from the time the order was placed by the dealer. See your local Jungheinrich dealer for program details.

* Programs may be subject to change without notice and may vary by region. Please ask your local Jungheinrich dealer for complete terms and conditions.

 **JUNGHEINRICH**[®]