

Innovative 3-phase AC technology
Semi-enclosed operator compartment
Premium ergonomic designs
Articulated 5-point suspension frame design
Integrated hydraulic system
Excellent maneuverability in confined spaces



ECE M27-ECE M36

Center Control Riders (6,000 / 8,000 lb.)

Efficiency Advantages Through Electrics

Equipped with 3-phase AC technology, the ECE M27 - ECE M36 center control riders are designed to increase the productivity of your operations. Knowing that operating efficiency is the single most important feature the market is looking for in its center control riders, these trucks live up to the level that customers can expect from Jungheinrich warehouse products.

Operator Ergonomics And Awareness

Commonly selected for increased protection and comfort for operators, Jungheinrich Center Control Riders provide an easy to enter/exit semi-enclosed operator compartment equipped with a comfortable anti-fatigue platform and padding to reduce the amount of wear and tear an operator feels after a long shift. Additionally, the controls were designed to be extremely intuitive, allowing for high levels of comfortable output for operators at a wide array of skill levels.

Durability Designed To Deliver

Equipment is only good if it is running, so all major components of these Jungheinrich center control riders were built for durability and reliability for increased uptime. From the 5 point suspension frame design to the heavy duty drive unit and gear, you can count on the ECE M27-ECE M36 to meet the extreme demands of your operations.

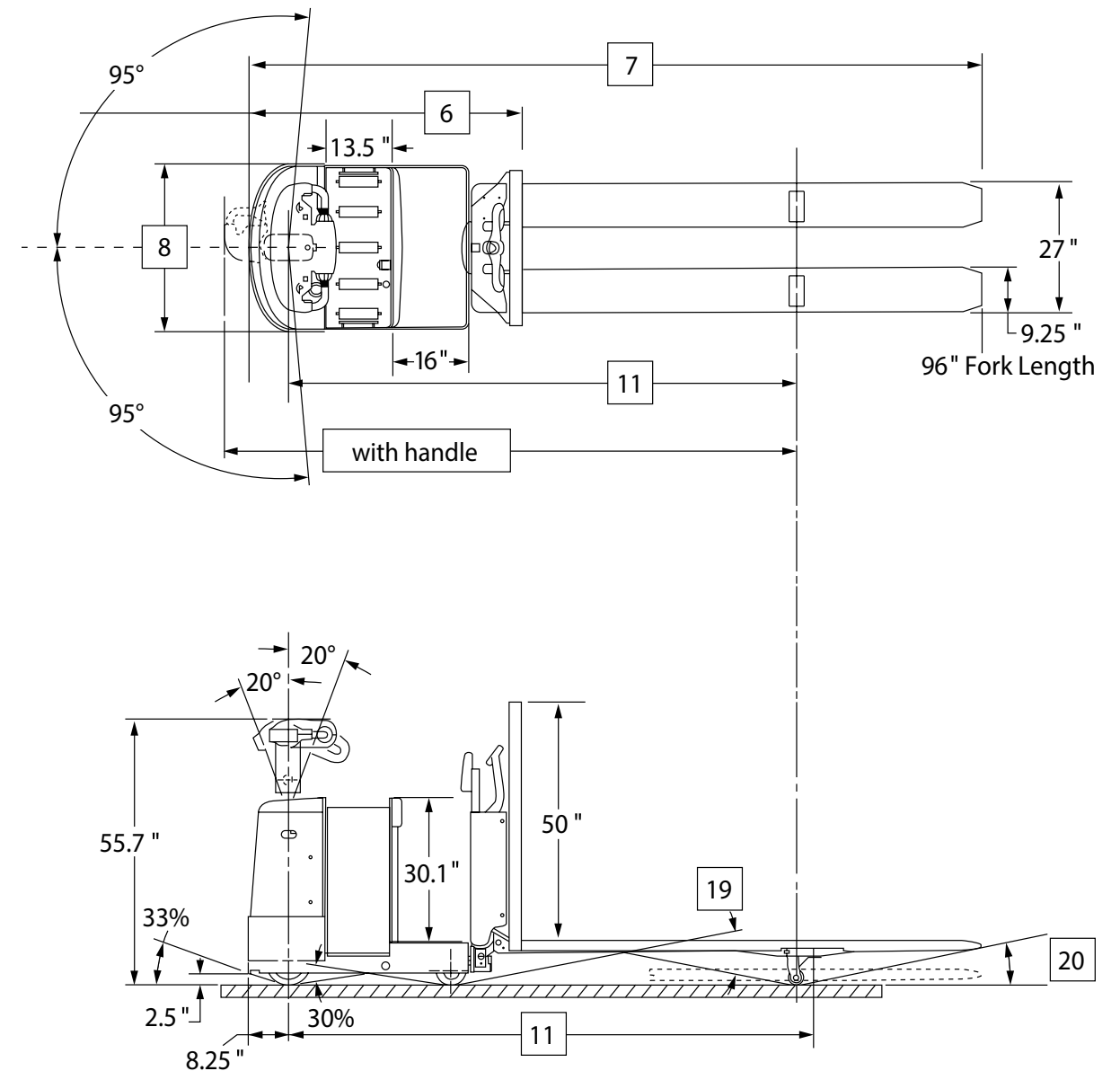


Technical data

as of: 08/2020

ECE M27-ECE M36

Characteristics			ECE M27		ECE M36	
	lb	kg				
1	Rated load capacity		6,000	2,720	8,000	3,630
2	Power type		24V electric		24V electric	
3	Operator type		walkie / rider		walkie / rider	
4	Tire type – drive / caster / load		solid rubber / poly / Dyalon® A Poly		solid rubber / poly / Dyalon® A Poly	
5	Wheels – drive / caster / load (x=driven)		1x / 2 / 2		1x / 2 / 2	
Dimensions	6	Head length – forks raised	in	mm	56.9	1,445
	7	Overall truck length	in	mm	104.9 / 140.9 / 152.9	2,665 / 3,580 / 3,885
	8	Chassis width	in	mm	35.1	890
	9	Face of forks to center of load wheel – forks raised	in	mm	36.4 / 56.5 / 56.5	925 / 1,435 / 1,435
	9	Face of forks to center of load wheel – forks lowered	in	mm	40.0 / 60.1 / 60.1	1,015 / 1,525 / 1,525
	10	Center of load wheel to fork tips – forks raised	in	mm	11.3 / 27.2 / 39.2	290 / 690 / 995
	10	Center of load wheel to fork tips – forks lowered	in	mm	7.7 / 23.6 / 35.6	195 / 605 / 905
	11	Wheelbase – forks raised	in	mm	85.3 / 106.2 / 106.2	2,165 / 2,700 / 2,700
	11	Wheelbase – forks lowered	in	mm	88.9 / 109.3 / 109.3	2,260 / 2,795 / 2,795
	12	Drive tire – dimensions	in	mm	10 x 5	255 x 125
13	Caster wheel – dimensions	in	mm	6 x 3	150 x 75	
14	Load wheel – dimensions	in	mm	3.25 x 6	85 x 150	
Performance	15	Travel speed – unloaded	mph	km/h	9.0	14.5
	16	Travel speed – loaded	mph	km/h	7.2	11.6
	17	Lift / lower speed – unloaded	seconds		3.0 / 4.7	
	18	Lift / lower speed – loaded	seconds		4.2 / 4.4	
	19	Grade clearance – between caster and load wheels	%		57 / 40 / 40	
	20	Grade clearance – from load wheel to fork tip	%		70 / 30 / 20	
	21	Turning radius – standard	in	mm	93.5 / 114.5 / 114.5	2,375 / 2,910 / 2,910
	21	Turning radius – with handle at 90°	in	mm	98.7 / 119.7 / 119.7	2,510 / 3,040 / 3,040
	22	Right angle stacking aisle* (40", 42", 48" load width)	in	mm	108 / 146 / 158	2,745 / 3,710 / 4,015
	23	90° equal intersecting area* – 40" load length	in	mm	78 / 89 / 91	1,980 / 2,260 / 2,315
24	90° equal intersecting area* – 42" load length	in	mm	79 / 91 / 92	2,010 / 2,315 / 2,340	
25	90° equal intersecting area* – 48" load length	in	mm	82 / 94 / 95	2,085 / 2,390 / 2,415	
Weight	26	Truck weight – no load, without battery	lb	kg	1,750 / 1,895 / 1,930	795 / 860 / 880
	27	Battery weight – minimum	lb	kg	855	390
	28	Battery weight – maximum	lb	kg	1,550	700
Forks	29	Fork size – outside spread	in	mm	27	685
	30	Fork length	in	mm	48 / 84 / 96	1,220 / 2,135 / 2,440
	31	Fork height – raised	in	mm	9.25	235
	32	Fork height – lowered	in	mm	3.25	82.5
	33	Fork width	in	mm	9.25	235
Battery	34	Compartment size* – length x width x height	in	mm	33.2 x 13.5 x 31.6	840 x 340 x 800
	35	Amp Hr capacity – maximum (6-hour)	Ah		840	
	36	Lead length – position B	in	mm	20	508
	37	Connector	type		SB-175 Red	
	38	Battery roller (optional) – height from the floor (forks lowered)	in	mm	7.05	180



*Includes 1" clearance on each side of load.

Single Pallet Handling: Size the forks to the exact pallet length. The load wheels will drop in the second opening of the pallet.

Double Pallet Handling: Size the forks to the exact pallet combination length. The load wheels should be specified to drop in the first opening of the second pallet to reduce the turning radius of the truck.

This specification sheet only provides technical values for the standard truck. Non-standard tires, different masts, different axle widths, additional equipment, etc. could produce other values. Rights reserved for technical changes and improvements.

The Jungheinrich Advantage



Easily accessible components



Spacious operator compartment



Thickest forks in the industry

Ease of operation

- Intuitive operational controls
- T-style adjustable steer head
- Rotary thumb travel speed controls that can be operated from either side
- Intuitive fingertip control of the lift, lower and horn buttons
- Soft touch switches
- Innovative articulated 5-point suspension frame design for added stability
- Customized performance settings for operators of different skill levels (only available with LCD screen option)
- Semi-enclosed operator compartment with high visibility in all directions

Maneuverability

- 190-degree steering arc for precise movements in small spaces
- Drive wheel and swivel caster wheels are independent from the rear load frame for smooth movement of the chassis

Productivity

- Run longer per charge by using less energy per cycle
- Innovative AC motor technology for proven reliability
- Regenerative braking allows for reservation of energy during operation
- Proportional plugging for long brake life
- Electronic speed control for efficient performance
- Enhanced thermal efficiency paired with the elimination of directional and lift contacts helps to ensure peak performance
- Large, sealed buttons for greater control when raising, lowering and actuating reverse commands
- Control coast allows for more efficient order picking and increased productivity

Ergonomics

- Large, cushioned operator platform
- Compact hood design allows operators to shift between different working positions and stances to promote sustained productivity through an entire shift
- Low effort, soft touch switches on handrail control box for great feel
- Fully padded operator compartment for comfort
- Rubber padded handrails with thick tubular construction for excellent grip

Minimize downtime

- Brushless AC drive motors use fewer components and require less maintenance
- Rotation sensing encoder is externally mounted, making it more accessible and simplifying replacement
- Thermal protection can slow or shut down the system if high temperatures occur
- One-piece two-bolt removal of cover containing major components
- Enclosed frame design helps to keep debris and foreign particles from entering major components
- Easily accessible lubrication fittings
- Five-nut removal of drive tire helps to speed up tire replacement
- Auto-lift feature provides a clearance to reduce pallet and load carry component damage
- Durable frame and scratch resistant, high-gloss finish for tough applications
- Heavy-duty lift system, including a check valve and flow regulator, combined with a quiet, spiral beveled gear drive system provides solid, reliable performance
- IP65 rated sealed controller, which can operate in wet rooms, coolers and freezers withstanding temperatures down to -20°F (-28.9°C)

- Non-contact design coupled with fewer moving parts
- Spring-loaded disc brake system eliminates the need for adjustments

Robust fork design

- Constructed from 1/4" plate steel
- Measuring 9 1/4" wide with reinforced tips
- Tapered 1/4" steel fork slides eliminate the need for entry rollers
- Standard 27" wide fork spread with various lengths available for single and double pallet fork options
- Steel push rods are constructed from solid bar stock to distribute high impact shocks
- Push-type design achieves the full 6" of lift without the use of tie rods extending beyond the fork plate - helping to reduce maintenance costs and prevent damage to the fork assembly

Parts when you need them

Jungheinrich's Parts Fast or Parts Free Guarantee ensures next-business-day delivery by 5:00 p.m. of all Jungheinrich parts in the United States, or they're free, including freight. For customers in Canada and Mexico, the guarantee ensures shipping of parts within 24 hours from the time the order was placed by the dealer. See your local Jungheinrich dealer for program details.

* Programs may be subject to change without notice and may vary by region. Please ask your local Jungheinrich dealer for complete terms and conditions.

** The product shown may be different than the actual configuration based on market requirements