

Broad capacity range for enhanced flexibility

High performance and high energy efficiency with advanced AC technology

Compact design for increased operation cycles

Ergonomic and easily adjustable operator compartment

Sealed components to help protect against dust and moisture



EFG 535k – S50

Electric Four-Wheel Counterbalanced Trucks (7,000 – 11,000 lbs.)

The advantages of Jungheinrich® electrics

Developed by the leader in AC lift truck technology, the newest generation of 3-phase AC technology offers a number of benefits:

- Maximum throughput with high acceleration, travel and lift speeds.
- Minimal energy consumption due to high efficiency and energy recovery.
- Minimal service costs due to the reduction of mechanical and hydraulic components.

The advantage: powerful drive and lift performance levels and the ability to run up to two shifts on a single battery charge in most applications. Combine this with reduced maintenance requirements, and you can significantly reduce the total cost of ownership for your business.

Hard working in tough conditions

Harsh environments are no problem for the EFG 535k-S50 series of forklifts because major electrical components are sealed – motors are sealed to an Ingress Protection rating of IP54, and connectors are sealed to IP56. The enclosed cabin option provides a comfortable and productive environment for operators – even in wet, cold or extreme conditions.

**JUNGHEINRICH®**

Technical data

				EFG535k		EFG540k			
Characteristics	1	Capacity at rated load center	lb	kg	7,000	3,500	8,000	4,000	
	2	Rated load center	in	mm	24	500	24	500	
	3	Power – diesel, gasoline, LP gas, electric			electric		electric		
	4	Tire type – cushion, pneumatic			pneumatic		pneumatic		
	5	Wheels, number front / rear (x=driven)			2x / 2		2x / 2		
Dimensions	6	Maximum fork height	h ₃	in	mm	122	3,100	118	3,000
	7	Extended mast height		in	mm	153	3,889	146	3,715
	8	Fork free lift height (see tables)		in	mm	6	150	6	150
	9	Fork dimensions		in	mm	1.8 x 4.9 x 45.3	45 x 125 x 1,150	2.0 x 4.9 x 45.3	50 x 125 x 1,150
	10	Fork spacing – out-to-out minimum / maximum		in	mm	16.4 / 44.3	415 / 1,125	16.4 / 44.3	415 / 1,125
	11	Fork carriage type (to ISO 2328, class / type A,B)			3A		3A		
	12	Tilt forward / backward			deg		6° / 8°		
	13	Overall length (incl. 45.25 in. forks)		in	mm	150.6	3,827	150.3	3,818
	14	Length to fork face (includes fork thickness)		in	mm	105.4	2,677	105.0	2,668
	15	Overall width		in	mm	52.8	1,340	52.8	1,340
	16	Lowered mast height		in	mm	90.6	2,300	90.1	2,290
	17	Ground to seat index point		in	mm	51.7	1,313	51.7	1,313
	18	Overhead guard height (top)		in	mm	93.1	2,365	93.1	2,365
	19	Tow coupling height		in	mm	15.6	396	15.6	396
20	Minimum outside turning radius		in	mm	89.9	2,284	92.9	2,360	
21	Load distance, axle to fork face (load moment constant)		in	mm	20.5	519	20.9	532	
22	Minimum aisle – 90° stack – zero clearance without load		in	mm	110.4	2,803	110.0	2,794	
Performance	23	Travel speed, loaded / unloaded (standard mode)		mph	km/h	9.3 / 10	15 / 16	8.7 / 10	14 / 16
	24	Travel speed, loaded / unloaded (high-performance option)		mph	km/h	10.6 / 11.1	17 / 18	9.3 / 10.6	15 / 17
	25	Lift speed, loaded / unloaded (standard mode)		fpm	m/s	74.8 / 98.4	0.38 / 0.50	61.0 / 84.6	0.31 / 0.43
	26	Lift speed, loaded / unloaded (high-performance option)		fpm	m/s	84.6 / 108.2	0.43 / 0.55	68.9 / 98.4	0.35 / 0.50
	27	Lowering speed, loaded / unloaded (standard mode)		fpm	m/s	110.2 / 110.2	0.56 / 0.56	106.3 / 90.6	0.54 / 0.46
	28	Lowering speed, loaded / unloaded (high-performance option)		fpm	m/s	110.2 / 110.2	0.56 / 0.56	108.3 / 98.4	0.55 / 0.50
	29	Gradeability, loaded at 1 mph (1.6 kmh) (standard mode)			%		10.2	9.3	
	30	Gradeability, loaded at 1 mph (1.6 kmh) (high-performance option)			%		11.5	10.8	
	31	Gradeability, maximum (unloaded) (standard mode)			%		24.0	22.3	
	32	Gradeability, maximum (unloaded) (high-performance option)			%		27.8	26.1	
Weight	33	Chassis with minimum weight battery (unloaded)	lb	kg	12,853	5,830	14,828	6,726	
	34	Axle load with rated load, front / rear ¹⁾	lb	kg	18,320 / 2,249	8,310 / 1,020	21,450 / 2,196	9,730 / 996	
	35	Axle load, unloaded, front / rear ¹⁾	lb	kg	6,526 / 6,327	2,960 / 2,870	7,833 / 6,995	3,553 / 3,173	
Chassis	36	Tire size, front	in		250-15		250-15		
	37	Tire size, rear	in		21 x 8-9		21 x 8-9		
	38	Wheelbase	in	mm	73.1	1,856	73.1	1,856	
	39	Track width, front / rear (center of tires)	in	mm	43.9 / 37.4	1,115 / 950	43.9 / 37.4	1,115 / 950	
	40	Ground clearance at lowest point of mast	in	mm	5.6	143	7.0	179	
	41	Ground clearance at center of wheelbase	in	mm	5.9	150	5.9	150	
	42	Brakes – service	type		wet disc mechanical		wet disc mechanical		
43	Brakes – parking	type		electric		electric			
Powertrain	44	Maximum battery length x width x height	in	mm	33.66 x 40.47 x 30.87	855 x 1,028 x 784	33.66 x 40.47 x 30.87	855 x 1,028 x 784	
	45	Battery weight, minimum / maximum	lb	kg	3,902 / 4,436	1,770 / 2,012	3,902 / 4,436	1,770 / 2,012	
	46	Drive motor capacity (60 min. rating) (standard mode)	HP	kW	19	14.5	19	14.5	
	47	Drive motor capacity (60 min. rating) (high-performance option)	HP	kW	24	18	24	18	
	48	Lift output (15% rating) (standard mode)	HP	kW	27	20	27	20	
	49	Lift output (15% rating) (high-performance mode)	HP	kW	32	24	32	24	
	50	Truck voltage	Volt		80		80		
	51	Controls – drive / hydraulic	type		Impulse / AC		Impulse / AC		
	52	Hydraulic pressure for attachments	PSI	Mpa	2,900	20	2,900	20	
	53	Hydraulic flow rate for attachments	gpm	lpm	7.9	30	7.9	30	

1) Battery weight 4107 lbs/1863 kg on models EFG535k, EFG540k, EFG545k; battery weight 4801 lbs/2178 kg on EFG550.

This specification sheet only provides technical values for the standard truck. Non-standard tires, different masts, different axle widths, additional equipment, etc. could produce other values. Rights reserved for technical changes and improvements.

as of: 09/2015

			EFG 540		EFG S40	
1	lb	kg	8,000	4,000	8,500	4,000
2	in	mm	24	500	24	600
3			electric		electric	
4			pneumatic		pneumatic	
5			2x / 2		2x / 2	
6	in	mm	118	3,000	118	3,000
7	in	mm	146	3,715	152	3,858
8	in	mm	6	150	6	150
9	in	mm	2.0 x 4.9 x 45.3	50 x 125 x 1,150	2.0 x 6.0 x 45.3	50 x 150 x 1,150
10	in	mm	16.4 / 44.3	415 / 1,125	16.5 / 44.5	420 / 1,130
11			3A		3A	
12	deg		6° / 8°		6° / 8°	
13	in	mm	156.0	3,962	161.5	4,102
14	in	mm	110.7	2,812	116.2	2,952
15	in	mm	52.8	1,340	57.0	1,450
16	in	mm	90.1	2,290	90.1	2,290
17	in	mm	51.7	1,313	51.2	1,303
18	in	mm	93.1	2,365	92.5	2,350
19	in	mm	15.6	396	15.6	396
20	in	mm	98.0	2,490	105.5	2,680
21	in	mm	20.9	532	20.9	532
22	in	mm	116.5	2,960	123.9	3,147
23	mph	km/h	8.7 / 10	14 / 16	8.7 / 9.6	14 / 15.5
24	mph	km/h	9.3 / 10.6	15 / 17	9.3 / 10.6	15 / 17
25	fpm	m/s	61.0 / 84.6	0.31 / 0.43	59.1 / 80.7	0.30 / 0.41
26	fpm	m/s	68.9 / 98.4	0.35 / 0.50	65.0 / 88.6	0.33 / 0.45
27	fpm	m/s	106.3 / 90.6	0.54 / 0.46	102.4 / 92.5	0.52 / 0.47
28	fpm	m/s	108.3 / 98.4	0.55 / 0.50	108.3 / 98.4	0.55 / 0.50
29	%		9.3		8.1	
30	%		10.8		9.4	
31	%		22.3		20.4	
32	%		26.1		23.4	
33	lb	kg	14,773	6,701	15,820	7,176
34	lb	kg	21,442 / 2,149	9,726 / 975	22,101 / 2,537	10,025 / 1,151
35	lb	kg	8,170 / 6,603	3,706 / 2,995	8,578 / 7,242	3,891 / 3,285
36	in		250-15		28 x 12.5-15	
37	in		21 x 8-9		23 x 10-12	
38	in	mm	78.7	2,000	81.9	2,080
39	in	mm	43.9 / 37.4	1,115 / 950	45.4 / 47.2	1,155 / 1,200
40	in	mm	7.0	179	6.5	166
41	in	mm	5.9	150	5.9	150
42	type		wet disc mechanical		wet disc mechanical	
43	type		electric		electric	
44	in	mm	39.33 x 40.47 x 30.87	999 x 1,028 x 784	39.33 x 40.47 x 30.87	999 x 1,028 x 784
45	lb	kg	4,562 / 5,186	2,069 / 2,352	4,562 / 5,186	2,069 / 2,352
46	HP	kW	19	14.5	19	14
47	HP	kW	24	18	24	18
48	HP	kW	27	20	27	20
49	HP	kW	32	24	32	24
50	Volt		80		80	
51	type		Impulse / AC		Impulse / AC	
52	PSI	Mpa	2,900	20	2,900	20
53	gpm	lpm	7.9	30	7.9	30

Technical data

				EFG 545k		EFG 545			
Characteristics	1	Capacity at rated load center	lb	kg	9,000	4,500	9,000	4,500	
	2	Rated load center	in	mm	24	500	24	500	
	3	Power – diesel, gasoline, LP gas, electric			electric		electric		
	4	Tire type – cushion, pneumatic			pneumatic		pneumatic		
	5	Wheels, number front / rear (x=driven)			2x / 2		2x / 2		
Dimensions	6	Maximum fork height	h ₃	in	mm	118	3,000	118	3,000
	7	Extended mast height		in	mm	146	3,715	146	3,715
	8	Fork free lift height (see tables)		in	mm	6	150	6	150
	9	Fork dimensions		in	mm	2.0 x 6.0 x 45.3	50 x 150 x 1,150	2.0 x 6.0 x 45.3	50 x 150 x 1,150
	10	Fork spacing – out-to-out minimum / maximum		in	mm	16.5 / 44.5	420 / 1,130	16.5 / 44.5	420 / 1,130
	11	Fork carriage type (to ISO 2328, class / type A,B)			3A		3A		
	12	Tilt forward / backward			deg		6° / 8°		
	13	Overall length (incl. 45.25 in. forks)		in	mm	150.3	3,818	155.9	3,962
	14	Length to fork face (includes fork thickness)		in	mm	105.0	2,668	110.7	2,812
	15	Overall width		in	mm	57.0	1,450	57.0	1,450
	16	Lowered mast height		in	mm	90.1	2,290	90.1	2,290
	17	Ground to seat index point		in	mm	51.2	1,303	51.2	1,303
	18	Overhead guard height (top)		in	mm	92.5	2,350	92.5	2,350
	19	Tow coupling height		in	mm	15.6	396	15.6	396
20	Minimum outside turning radius		in	mm	92.9	2,360	98.0	2,490	
21	Load distance, axle to fork face (load moment constant)		in	mm	20.9	532	20.9	532	
22	Minimum aisle – 90° stack – zero clearance without load		in	mm	110.0	2,794	116.5	2,960	
Performance	23	Travel speed, loaded / unloaded (standard mode)		mph	km/h	8.7 / 9.6	14 / 15.5	8.7 / 9.6	14 / 15.5
	24	Travel speed, loaded / unloaded (high-performance option)		mph	km/h	9.3 / 10.6	15 / 17	9.3 / 10.6	15 / 17
	25	Lift speed, loaded / unloaded (standard mode)		fpm	m/s	59.1 / 80.7	0.30 / 0.41	59.1 / 80.7	0.30 / 0.41
	26	Lift speed, loaded / unloaded (high-performance option)		fpm	m/s	65.0 / 88.6	0.33 / 0.45	65.0 / 88.6	0.33 / 0.45
	27	Lowering speed, loaded / unloaded (standard mode)		fpm	m/s	102.4 / 92.5	0.52 / 0.47	102.4 / 92.5	0.52 / 0.47
	28	Lowering speed, loaded / unloaded (high-performance option)		fpm	m/s	108.3 / 98.4	0.55 / 0.50	108.3 / 98.4	0.55 / 0.50
	29	Gradeability, loaded at 1 mph (1.6 kmh) (standard mode)		%		8.1		8.1	
	30	Gradeability, loaded at 1 mph (1.6 kmh) (high-performance option)		%		9.4		9.4	
	31	Gradeability, maximum (unloaded) (standard mode)		%		20.4		20.4	
	32	Gradeability, maximum (unloaded) (high-performance option)		%		23.9		23.9	
Weight	33	Chassis with minimum weight battery (unloaded)	lb	kg	15,842	7,186	15,787	7,161	
	34	Axle load with rated load, front / rear ¹⁾	lb	kg	23,387 / 2,376	10,608 / 1,078	23,256 / 2,451	10,549 / 1,112	
	35	Axle load, unloaded, front / rear ¹⁾	lb	kg	8,067 / 7,776	3,659 / 3,527	8,327 / 7,463	3,777 / 3,385	
Chassis	36	Tire size, front	in		28 x 12.5-15		28 x 12.5-15		
	37	Tire size, rear	in		21 x 8-9		21 x 8-9		
	38	Wheelbase	in	mm	73.1	1,856	78.7	2,000	
	39	Track width, front / rear (center of tires)	in	mm	45.4 / 37.4	1,155 / 950	45.4 / 37.4	1,155 / 950	
	40	Ground clearance at lowest point of mast	in	mm	6.5	166	6.5	166	
	41	Ground clearance at center of wheelbase	in	mm	5.9	150	5.9	150	
	42	Brakes – service	type		wet disc mechanical		wet disc mechanical		
43	Brakes – parking	type		electric		electric			
Powertrain	44	Maximum battery length x width x height	in	mm	33.66 x 40.47 x 30.87	855 x 1,028 x 784	39.33 x 40.47 x 30.87	999 x 1,028 x 784	
	45	Battery weight, minimum / maximum	lb	kg	3,902 / 4,436	1,770 / 2,012	4,562 / 5,186	2,069 / 2,352	
	46	Drive motor capacity (60 min. rating) (standard mode)	HP	kW	19	14.5	19	14	
	47	Drive motor capacity (60 min. rating) (high-performance option)	HP	kW	24	18	24	18	
	48	Lift output (15% rating) (standard mode)	HP	kW	27	20	27	20	
	49	Lift output (15% rating) (high-performance mode)	HP	kW	32	24	32	24	
	50	Truck voltage	Volt		80		80		
	51	Controls – drive / hydraulic	type		Impulse / AC		Impulse / AC		
	52	Hydraulic pressure for attachments	PSI	Mpa	2,900	20	2,900	20	
	53	Hydraulic flow rate for attachments	gpm	lpm	7.9	30	7.9	30	

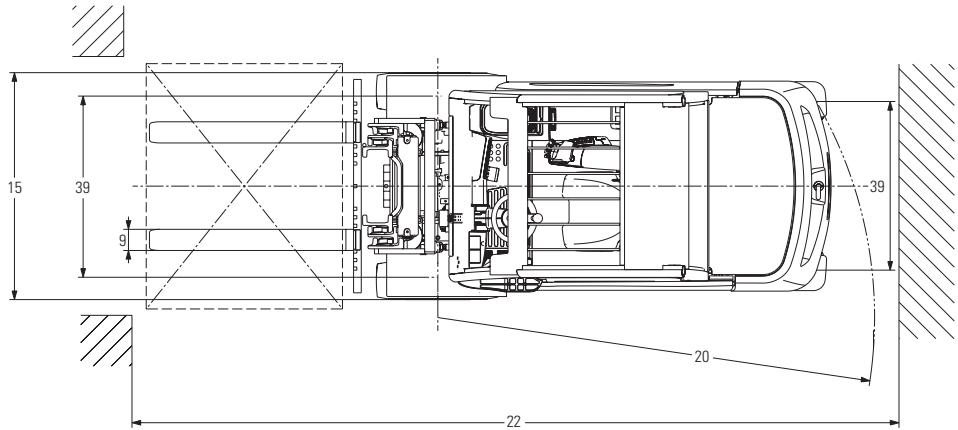
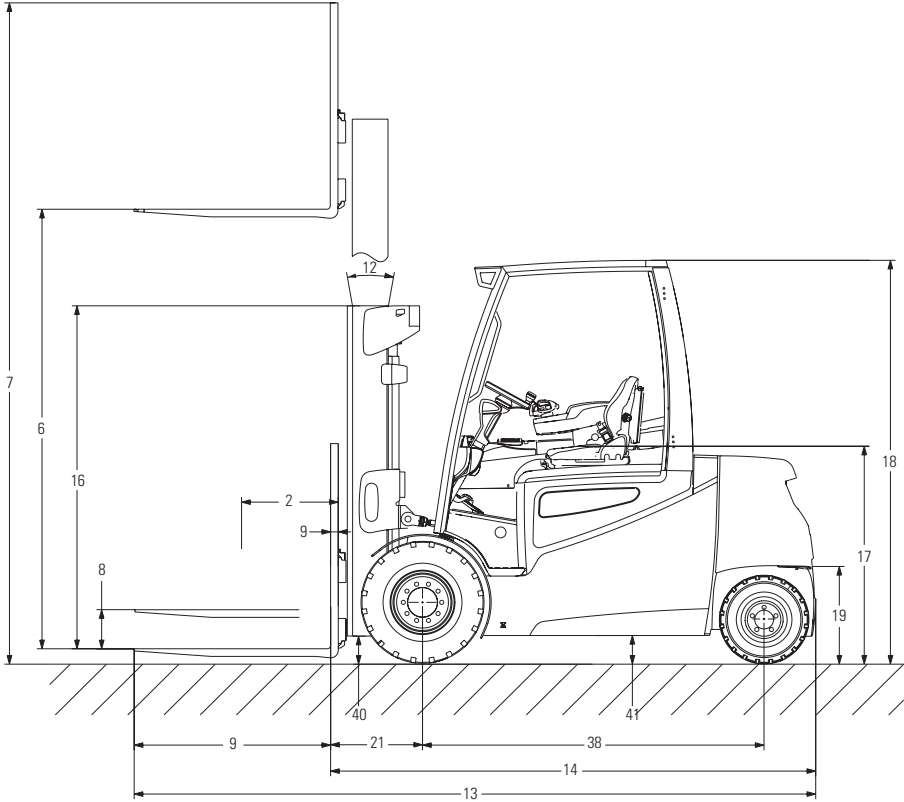
1) Battery weight 4107 lbs/1863 kg on models EFG535k, EFG540k, EFG545k; battery weight 4801 lbs/2178 kg on EFGS50.

This specification sheet only provides technical values for the standard truck. Non-standard tires, different masts, different axle widths, additional equipment, etc. could produce other values. Rights reserved for technical changes and improvements.

as of: 09/2015

			EFG 550		EFG S50	
1	lb	kg	10,000	5,000	11,000	5,000
2	in	mm	24	500	24	600
3			electric		electric	
4			pneumatic		pneumatic	
5			2x / 2		2x / 2	
6	in	mm	118	3,000	118	3,030
7	in	mm	152	3,858	158	4,003
8	in	mm	6	150	6	150
9	in	mm	2.0 x 6.0 x 45.3	50 x 150 x 1,150	2.4 x 6.0 x 45.3	60 x 150 x 1,150
10	in	mm	16.5 / 44.5	420 / 1,130	16.5 / 44.5	420 / 1,130
11			3A		4A	
12	deg		6° / 8°		6° / 8°	
13	in	mm	156.0	3,962	161.5	4,102
14	in	mm	110.7	2,812	116.2	2,952
15	in	mm	57.0	1,450	57.0	1,450
16	in	mm	90.1	2,290	96.0	2,440
17	in	mm	51.2	1,303	51.2	1,303
18	in	mm	92.5	2,350	92.5	2,350
19	in	mm	15.6	396	15.6	396
20	in	mm	98.0	2,490	105.5	2,680
21	in	mm	20.9	532	21.5	547
22	in	mm	116.5	2,960	123.9	3,147
23	mph	km/h	8.7 / 9.3	14 / 15	8.4 / 9	13.5 / 14.5
24	mph	km/h	9.3 / 10.6	15 / 17	9.3 / 10.6	15 / 17
25	fpm	m/s	55.1 / 80.7	0.28 / 0.41	53.1 / 78.7	0.27 / 0.40
26	fpm	m/s	65.0 / 88.6	0.33 / 0.45	61.0 / 88.6	0.31 / 0.45
27	fpm	m/s	102.4 / 92.5	0.52 / 0.47	100.4 / 98.4	0.51 / 0.50
28	fpm	m/s	18.3 / 98.4	0.55 / 0.50	108.3 / 98.4	0.55 / 0.50
29	%		7.5		7.1	
30	%		8.8		8.4	
31	%		20		18.9	
32	%		23.4		22.2	
33	lb	kg	16,643	7,549	17,716	8,036
34	lb	kg	24,872 / 2,771	11,282 / 1,257	25,743 / 2,996	11,677 / 1,359
35	lb	kg	8,316 / 8,327	3,772 / 3,777	8,668 / 9,048	3,932 / 4,104
36	in		28 x 12.5-15		28 x 12.5-15	
37	in		21 x 8-9		23 x 10-12	
38	in	mm	78.7	2,000	81.9	2,080
39	in	mm	45.4 / 37.4	1,155 / 950	45.4 / 47.2	1,155 / 1,200
40	in	mm	6.5	166	6.5	166
41	in	mm	5.9	150	5.9	150
42	type		wet disc mechanical		wet disc mechanical / electric	
43	type		electric		electric	
44	in	mm	39.33 x 40.47 x 30.87	999 x 1,028 x 784	39.33 x 40.47 x 30.87	999 x 1,028 x 784
45	lb	kg	4,562 / 5,186	2,069 / 2,352	4,562 / 5,186	2,069 / 2,352
46	HP	kW	19	14	19	14
47	HP	kW	24	18	24	18
48	HP	kW	27	20	27	20
49	HP	kW	32	24	32	24
50	Volt		80		80	
51	type		Impulse / AC		Impulse / AC	
52	PSI	Mpa	2,900	20	2,900	20
53	gpm	lpm	7.9	30	7.9	30

EFG 535k-S50



Note: Equipping this model (these models) with a power source (e.g. Lithium-ion, Hydrogen Fuel cell, etc.) that has not been previously approved by the factory is considered a modification. Per OSHA 1910.178 and ANSI/ITSDF B56.1, please consult with your factory representative prior to installing any non-OEM power source that has not been previously approved.



The Jungheinrich Advantage



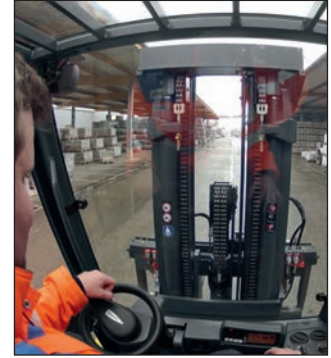
Ergonomic operator compartment



Smooth ride in outdoor applications



Color display



Optimized visibility

Superior operator comfort

The ergonomic operator compartment allows for relaxed and productive operation, beneficial during long shifts:

- Low, wide step with slip-resistant tread.
- Ability to telescope and tilt the narrow steering column to suit the operator's needs.
- All essential controls are located on the highly-adjustable armrest with the soloPILOT fingertip hydraulic control feature, allowing for easy, intuitive operator control.
- Operators will experience an extremely comfortable ride on rough or uneven floors with the combination of solid pneumatic tires, a three-way adjustable seat and floating cabin.
- Outstanding view thanks to an innovative overhead guard design, optimized mast channel nesting and hose routing.

Maintenance-free braking system

- Regenerative braking with the traction motor allows for smooth, energy efficient deceleration and puts energy back into the battery.
- Automatically engaging parking brake for secure stopping.
- Multiple wet disc brakes are sealed for extreme durability in harsh environments.

Maintenance-free motors

The new generation of 3-phase AC motors will impress – providing quiet and precise operation at all speeds.

- High torque for faster operation cycles.
- Lifetime lubrication of main components.
- Motor, brake and gears are integrated into the sealed drive axle.
- Dust and water protection to IP54.

Control systems

High performance also requires a high degree of control. That's why the EFG series includes a comprehensive range of equipment for more secure operation:

- Compact electronic and hydraulic design makes for minimal power usage – longer power cycles with less energy consumed.
- Deactivation of all hydraulic and travel functions when the operator seat is not occupied.
- Limited roll-back on ramps or inclines with the automatic parking brake.
- Automatic progressive reduction of the driving speed during cornering with Jungheinrich curveCONTROL.
- Side battery extraction for easier maintenance.

Intelligent electronics

- Smooth travel / reversing and precise positioning.
- Optimally adapts to any situation using five individual work programs.
- Efficient communication between the truck and operator / technician with the highly informative, interactive display.

Available options

- Optional electro-hydraulic steering.
- multiPILOT and duoPILOT unitized hydraulic control
- Cold storage / tropics conditioning
- Dual solid pneumatic or non-marking tires
- Hydraulic accumulator shock absorber
- Fully enclosed cabin
- Deluxe cloth 3-way adjustable air suspension seat
- 15° swivel seat
- Rear grab handle with horn button
- DC / DC converter
- Light and warning options

Lithium-ion Package Advantages

- Fast charging with no need for battery exchanges
- Maintenance-free with no odors from gases or acidification
- Longer service life and lower maintenance compared with lead-acid batteries
- Charging can be interrupted at anytime
- 5-year battery warranty included

Parts when you need them

Jungheinrich's Parts Fast or Parts Free Guarantee ensures next-business-day delivery by 5:00 p.m. of all Jungheinrich parts in the United States, or they're free, including freight. For customers in Canada and Mexico, the guarantee ensures shipping of parts within 24 hours from the time the order was placed by the dealer. See your local Jungheinrich dealer for program details.

* Programs may be subject to change without notice and may vary by region. Please ask your local Jungheinrich dealer for complete terms and conditions.

1-877-JH-FORKS

www.logisnextamericas.com/jungheinrich

 **JUNGHEINRICH®**