

Electric powered pallet truck with stand-on platform (5,500 lbs.) and fully enclosed integrated charger

Innovative operator compartment with four platform options to enhance productivity

Powerful 3-phase AC drive motor for optimum performance

shockPROTECT: spring-loaded drive unit cushions the operator, truck and load

positionCONTROL (optional): automated function that raises and lowers pallets to predefined heights at the touch of a button



## ERE 125 / 225 / 225DP

### Electric powered pallet truck (5,500 lb.)

The ERE powered pallet truck combines the maneuverability and comfort of a stand-on forklift in the compact design of a walkie end rider. A great tool for loading and unloading trailers, order picking inside the aisle or transporting 5,500-pound loads across your warehouse, the ERE 125 / 225 / 225DP can be individually adapted and customized to your specific application with the goal of moving goods faster and more efficiently.

One of the ERE pallet truck's unique features is the optional positionCONTROL, an automated function to help increase productivity. With the touch of a button,

the forks on the powered pallet truck rise to a preset height, thereby optimizing lift time and minimizing adjustments while moving more efficiently. Choose from three different settings for various pallet types.

This pallet truck is also ergonomically designed to make the operator comfortable and secure. With four different stand-on platforms and adjustable controls and cushions, users can set the height of the platform and the level of comfort to suit their specific requirements.

Comfort also comes in the form of the pallet truck's platform suspension. The drive unit includes a spring-loaded design with shockPROTECT to reduce vibrations in the operator compartment during use. For fixed platforms, additional comfort and shock reduction are available with the optional cushioned stand-on platform with weight setting adjustments. Additionally, the drivePLUS version with its 3.2 kW drive motor ensures quick acceleration and drive speeds up to 8.69 mph.

 **JUNGHEINRICH®**

# Technical Data

				Jungheinrich		Jungheinrich		
Characteristics	1.1	Manufacturer		ERE 125		ERE 225		
	1.2	Model		Electric		Electric		
	1.3	Drive		Electric Rider Pallet Truck		Electric Rider Pallet Truck		
	1.4	Type of operation		5,512		2,500		
	1.5	Load capacity at rated load center	Q	lb	kg	5,512	2,500	
	1.6	Rated load center	c	in	mm	23.6	600	
	1.8	Load Distance 4)	x	in	mm	35.7	908	
	1.9	Wheelbase	y	in	mm	54.3 / 57.1 <sup>4) 8)</sup>	1,378 / 1,450 <sup>4) 8)</sup>	
	2.1	Service weight without battery <sup>7)</sup>		lb	kg	891	404	
Weights	2.2	Axle loading - loaded, front / rear			4,608 / 2,482	2,090 / 1,126	4,608 / 2,482	
	2.3	Axle loading - no load, front / rear			351 / 1,213	159 / 550	351 / 1,213	
							159 / 550	
Wheels, Chassis	3.1	Tires		Vulkollan®		Vulkollan®		
	3.2	Tire size, drive		Ø 230 x 77		Ø 230 x 77		
	3.3	Tire size, load <sup>1)</sup>		Ø 85 x 110		Ø 85 x 110		
	3.4	Tire size, caster.		Ø 140 x 57		Ø 140 x 57		
	3.5	Wheels - number, drive / caster / load		1 / 2 / 2		1 / 2 / 2		
	3.5	Track width, drive side	b <sub>10</sub>	in	mm	14.3	363	
3.5	Track width, load side	b <sub>11</sub>	in	mm	20.2	512		
Dimensions	4.4	Maximum fork height			4.8	122	4.8	
	4.9	Tiller height in drive position, minimum / maximum			44.8 / 55.9	1,137 / 1,419	44.8 / 55.9	
	4.15	Lowered fork height			3.3	85	3.3	
	4.19	Overall length <sup>5) 6) 8) 9) 10)</sup>			72.7	1,847	72.7	
	4.20	Length to fork face <sup>5) 6) 8) 9) 10)</sup>			27.4	697	27.4	
	4.21	Overall Chassis Width		b <sub>1</sub> / b <sub>2</sub>	in	mm	30.3	770
	4.22	Fork dimensions – thickness / width <sup>1)</sup>		s/e/l	in	mm	2.2 / 6.8 / 45.3	55 / 172 / 1,150
	4.25	Overall width across forks <sup>1)</sup>		b <sub>5</sub>	in	mm	21.7	550
	4.32	Ground clearance at center of wheelbase		m <sub>5</sub>	in	mm	1.2	30
	4.34	Aisle width for right angle stack (40 x 48 inch pallet lengthways) <sup>2) 4) 5) 6) 7) 8) 9) 10)</sup>		Ast	in	mm	86.2	2,189
4.35	Minimum outside turning radius <sup>4)</sup>		Wa	in	mm	64.0	1,625	
Performance	5.1	Travel speed, loaded / no load		mph	km / h	5.6 / 5.6	9.0 / 9.0	
	5.2	Lift speed, loaded / no load		ft / min	m / s	9.8 / 13.8	0.05 / 0.07	
	5.3	Lowering speed, loaded / no load		ft / min	m / s	9.8 / 9.8	0.05 / 0.05	
	5.8	Maximum gradability, loaded / no load		%		8 / 16	8 / 16	
	5.10	Brakes - service		type		electric	electric	
Motors	6.1	Drive motor (rating 60 minutes)		hp	kW	3.8	2.8	
	6.2	Lift motor rating at 10%		hp	kW	3.0	2.2	
	6.4	Battery voltage / nominal capacity K5		V	Ah	24	250	
	6.5	Battery weight, minimum / maximum		lb	kg	483 / 531	219 / 241	
	6.5						483 / 531	

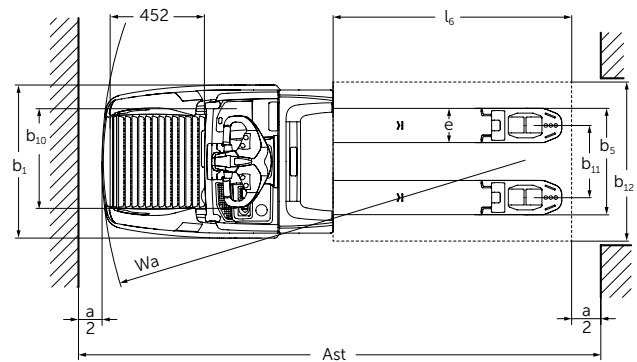
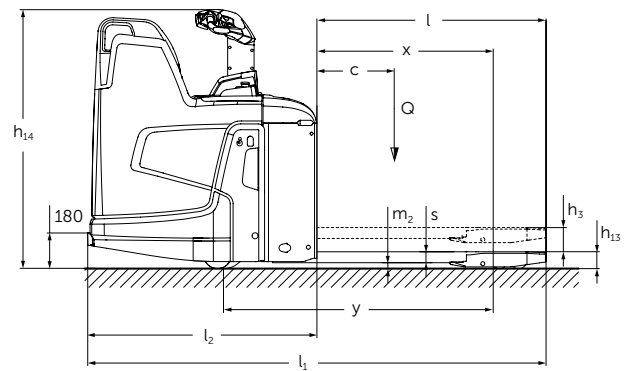
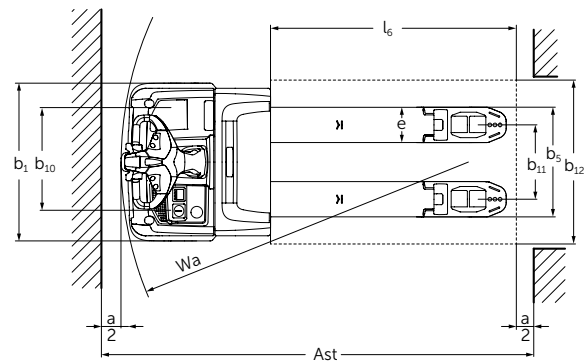
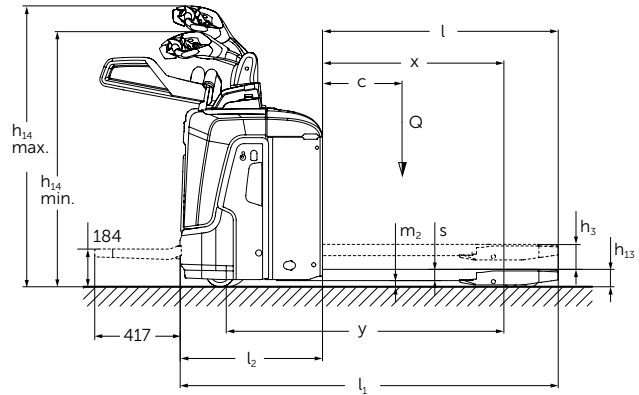
In accordance with VDI Guideline 2198 this specification sheet provides details of the standard truck only.

Non-standard tires, different masts, optional equipment, etc. may result in different values.

- 1) Additional dimensions / sizes available
- 2) Diagonal as per VDI: + 8.1 in. (205 mm)
- 3) Diagonal as per VDI: + 8.1 in. (369 mm)
- 4) Load section lowered: + 2.2 in. (56 mm)
- 5) With compact platform: + 14.1 in. (357 mm)
- 6) With extended platform: + 18.6 in. (472 mm)
- 7) With lateral battery exchange: + 55 lb. (25 kg)
- 8) With lateral battery exchange: + 2.8 in. (72 mm)
- 9) With L platform: + 18.8 in. (478 mm)
- 10) With platform folded down: + 16.4 in. (416 mm)

1.1	Jungheinrich		
1.2	ERE 225 drivePLUS		
1.3	Electric		
1.4	Electric Rider Pallet Truck		
1.5	lb	kg	5,512 / 2,500
1.6	in	mm	23.6 / 600
1.8	in	mm	35.7 / 908
1.9	in	mm	54.3 / 57.1 <sup>4)</sup> / 1,378 / 1,450 <sup>4) 8)</sup>
2.1	lb	kg	891 / 404
2.2	lb	kg	4,608 / 2,482 / 2,090 / 1,126
2.3	lb	kg	351 / 1,213 / 159 / 550
3.1	Vulkollan®		
3.2	mm	Ø 230 x 77	
3.3	mm	Ø 85 x 110	
3.4	mm	Ø 140 x 57	
3.5	1 / 2 / 2		
3.5	in	mm	14.3 / 363
3.5	in	mm	20.2 / 512
4.4	in	mm	4.8 / 122
4.9	in	mm	44.8 / 55.9 / 1,137 / 1,419
4.15	in	mm	3.3 / 85
4.19	in	mm	72.7 / 1,847
4.20	in	mm	27.4 / 697
4.21	in	mm	30.3 / 770
4.22	in	mm	2.2 / 6.8 / 45.3 / 55 / 172 / 1,150
4.25	in	mm	21.7 / 550
4.32	in	mm	1.2 / 30
4.34	in	mm	86.2 / 2,189
4.35	in	mm	64.0 / 1,625
5.1	mph	km / h	5.9 / 8.7 / 9.5 / 14.0
5.2	ft / min	m / s	9.8 / 13.8 / 0.05 / 0.07
5.3	ft / min	m / s	9.8 / 9.8 / 0.05 / 0.05
5.8	% 8 / 16		
5.10	type electric		
6.1	hp	kW	4.3 / 3.2
6.2	hp	kW	3.0 / 2.2
6.4	V	Ah	24 / 250
6.5	lb	kg	483 / 531 / 219 / 241

# ERE 125 / 225



Note: Equipping this model (these models) with a power source (e.g. Lithium-ion, Hydrogen Fuel cell, etc.) that has not been previously approved by the factory is considered a modification. Per OSHA 1910.178 and ANSI/ITSDF B56.1, please consult with your factory representative prior to installing any non-OEM power source that has not been previously approved.

# The Jungheinrich Advantage



With four different stand-on platforms, users can also set the height of the platform and the level of comfort to suit their specific requirements.



The platform with side entry is suitable for order picking as well as loading and unloading trailers.

## Ergonomic operator compartment

The ERE features an ergonomic operator compartment that helps minimize operator fatigue over the entire shift.

- The drive unit and operator platform (optional) provide cushioning. Advantages include:
  - Reduced strain on the operator's back
  - Less stress on the chassis and components
- Spring-loaded and cushioned support wheels, connected via the ProTracLink system, help provide stable handling in a wide variety of applications.
- Plenty of storage space for paperwork and supplies.
- Truck speed during turns is automatically reduced with curveCONTROL to help stabilize loads, depending on the steering angle.
- When traveling with the forks trailing, the operator can maintain a side-stance position and hold themselves steady with one hand on the tiller and the other on the fixed platform handle.
- With fixed platforms (optional), an electronic photo eye protection beam (also optional) detects when the operator's foot moves outside the vehicle compartment, significantly slowing travel speed.

## 4 Available Stand-On Platforms

- **Foldable platform with restraint system**
  - for application use in pedestrian mode
- **Fixed compact platform**
  - Short platform, firm side walls
- **Fixed elongated platform**
  - ergonomically designed for enhanced productivity and comfort
- **Order picking platform with side entry**
  - suited for order picking, loading and unloading of trailers; accommodates both left- and right-handed operators

## A variety of options are available to meet the specific needs of your applications, including:

- 2-inch color display with battery discharge indication, event message displays, speed display and three preset operator driving modes.
- Activation of maximum travel speed only when forks are at a properly raised height provides a reliable reduction in wear under the forks.
- A newly developed, height-adjustable smartPILOT electric tiller head features color-coded buttons with abrasion-resistant symbols for intuitive or tactile operation.

## Powerful 3-phase AC drive motor and "intelligent" electronic controller

Progressive drive technology and control electronics (speedCONTROL) provide productive and energy-efficient operation with adjustments to fit most applications:

- The speed set by the accelerator is maintained in every travel situation – even during climbing and descending gradients and slopes.
- The ERE is protected against unintended rollback on ramps by automatic brake activation.
- Energy is returned to the battery during speed reduction using regenerative braking.

## Parts when you need them

Jungheinrich's Parts Fast or Parts Free Guarantee ensures next-business-day delivery by 5:00 PM of all Jungheinrich parts in the United States, or they're free, including freight. For customers in Canada and Mexico, the guarantee ensures shipping of parts within 24 hours from the time the order was placed by the dealer. See your local Jungheinrich dealer for program details.

\* Programs may be subject to change without notice and may vary by region. Please ask your local Jungheinrich dealer for complete terms and conditions.