



# DEPENDABLE STRENGTH

**7,000 – 8,000 LB. CAPACITY**  
**INTERNAL COMBUSTION**  
**CUSHION TIRE LIFT TRUCK**



# TRIED-AND-TRUE PERFORMANCE

## A Truck You Can Depend On

The Cat® Lift Trucks 7,000 lb. – 8,000 lb. capacity LP cushion tire model family is designed to give customers what they need: increased uptime, maneuverability and the return on the investment that they expect. Built on a heritage of durability and reliability, these forklifts can perform in a wide range of indoor applications, from moving pallets from dock to stock to transferring loads across a wide variety of run distances, short or long:

### KEY INDUSTRIES:

- General Warehousing
- Food and Kindred Products
- Fabricated and Primary Metal
- Industrial Machinery and Equipment
- Wholesale Trade (Durable and Non-durable Goods)
- Building Materials and Garden Supplies
- General Merchandising
- Miscellaneous Retail



### BALANCING POWER AND EFFICIENCY: THE WINNING COMBINATION

Cat Lift Trucks 2C7000-2C8000 models are powered by the rugged GK25 internal combustion engine, that provides high levels of torque and horsepower, while maintaining compliance with all EPA emissions regulations. Equipped with an electronic fuel injection system, consisting of three control modules, constantly communicating with each other through its CAN (Controlled Area Network) system, the combustion process provides high levels of torque at lower RPM levels, which means savings in fuel consumption. Additionally, the truck is equipped with standard Fuel Saver Mode, which is easily activated by a toggle switch on the dashboard in order to save on fuel costs, without sacrificing the top travel speeds of the truck.



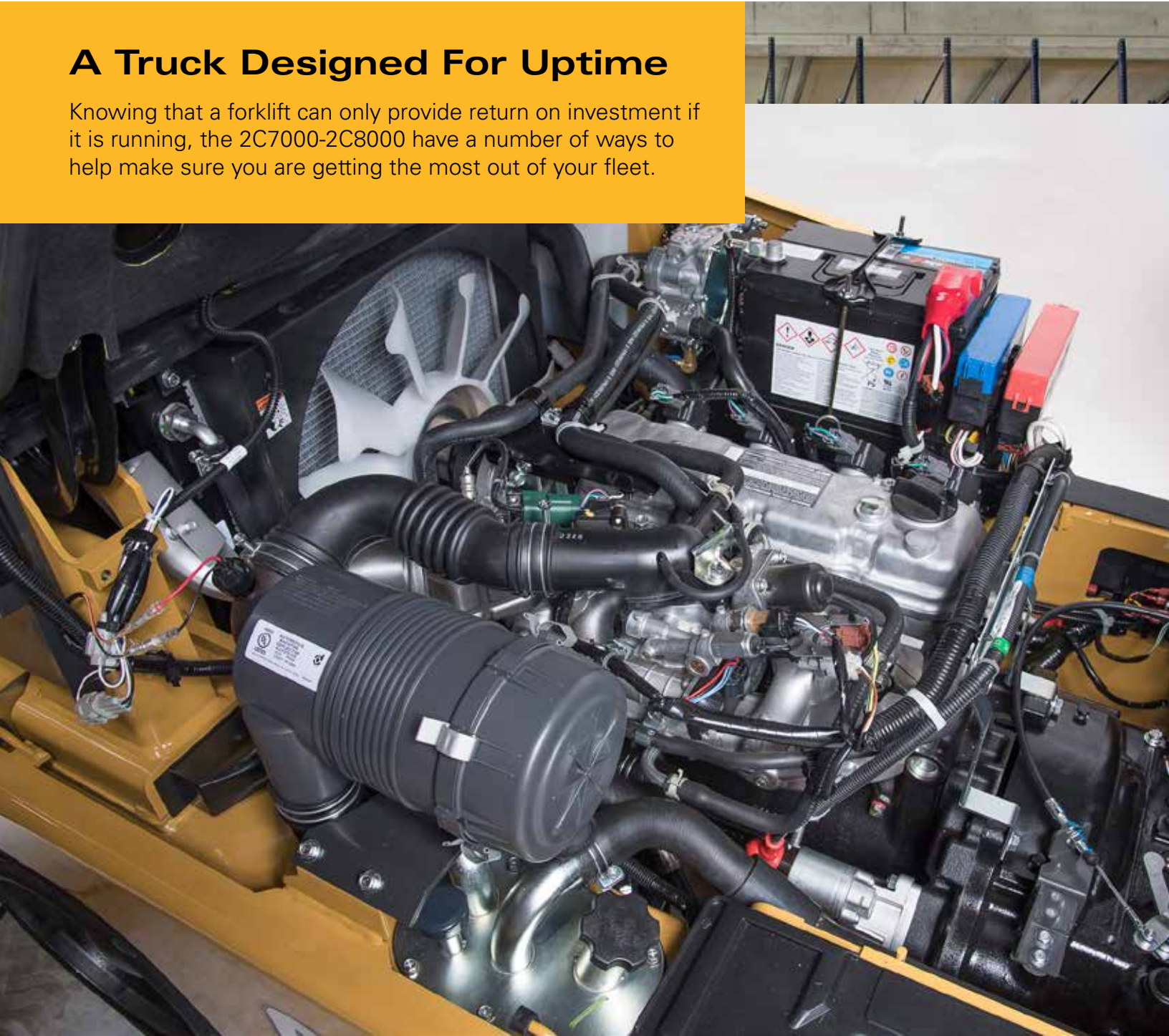




# KEEPING YOUR OPERATION HUMMING

## A Truck Designed For Uptime

Knowing that a forklift can only provide return on investment if it is running, the 2C7000-2C8000 have a number of ways to help make sure you are getting the most out of your fleet.





### **Self-Diagnostics through the Display**

The display includes standard warnings and icons to keep the operator informed.

Additionally, on-board diagnostics provide immediate truck status, to help streamline the process of troubleshooting and minimize the time needed to address any potential issues.

### **Extended Preventative Maintenance Schedule**

500-hour service intervals mean that labor, parts and downtime required for preventative maintenance are kept to minimal levels.

Trained service technicians can also program service interval alerts through the meter panel which can keep operators, users and owners informed when scheduled maintenance is required.

### **Effective Cooling System**

The cooling system includes an electronic engine protection and warning system that monitors radiator fluid and transmission oil temperatures, a 10-blade fan and an aluminum radiator for cross-flow cooling.

The chassis design also incorporates a bottom bypass air flow design that allows for constant air flow during travel to help prolong engine life.

10-blade fan and aluminum radiator for cross-flow cooling

### **Parking Brake Transmission Interlock**

While the parking brake is engaged, the forklift is held in neutral to protect the brakes and transmission, reducing the chance for premature brake wear.

### **Easy LP Tank Changes**

Getting work done means needing to refuel. A variety of options for LP tank brackets allow you to find the best fit for your operations, ensuring tank changes take less time and require less effort, so that the focus can be on the job at hand.

### **Service Access Made Easy**

The three-piece top panel and the one-piece floorboard are easily removed to provide broad access to major components without requiring tools. This can reduce the downtime and technician time, increasing the productivity in your operation.





# GIVING YOU TOTAL CONTROL

## The Whole Package

Enhancing the complete operator experience through comfort and confidence.

### MANEUVERABILITY

#### Compact Chassis

The compact chassis allows the operator to maneuver in, out and around tight spaces where larger trucks just can't get to efficiently.

#### Fully Hydrostatic Power Steering

The steering system allows for maneuverability with little effort, with less components, helping to provide more return on your investment through added productivity.

### ERGONOMICS

#### Ergonomic Operator Compartment

The spacious cabin design with three-point access provides comfortable space for almost all operator sizes with great ergonomic leg room and ergonomic pedal position to rest the feet in a comfortable position to avoid unnecessary stress in the ankles.

#### Reduced Vibration

The floating powertrain of the truck rests on four rubber cushion dampeners designed to absorb vibration during operation that could lead to unnecessary operator fatigue on the job.

#### Full Suspension Vinyl Seat

Designed to keep a wide range of operator sizes comfortable throughout the shift, the seat can be adjusted forward and backwards for different heights, suspension can be adjusted for different weights and lumbar support can be adjusted to make sure that productivity is never overshadowed by discomfort. Orange seatbelt and Presence Detection System (PDS) come standard.



### OPERATOR CONFIDENCE AND AWARENESS

#### Cushioned Stability Control

There is a rubber damper mounted between the steer axle and frame, that can improve increased lateral stability, enhancing operator confidence and overall driving experience in a maintenance-free system.

#### Standard Lights Package

With LED standard work lights mounted on the front of the overhead guard, operators have increased visibility to the area in front of the truck and through the mast to the fork tips, to operate with precision and efficiency with different levels of surrounding lighting. There are also standard rear combination lights to let pedestrians and other lift trucks know the intended and current movements of the truck.

#### Functional Steering Column

The steering column is combined with the meter panel, creating an open steering wheel design concept and providing full visibility to the display. The operator can adjust the tilt column and use the memory feature to reposition the column in the prior tilt position in case the operator leaves the compartment. The directional control lever (F-N-R), headlights and the optional turn signals are attached in the column to reach them easily.









Local service and support



Genuine OEM parts



Custom financing packages







Factory warranty for added protection



## Local Support You Can Count On

A Cat lift truck purchase connects you to a variety of material handling solutions, including world-class service and support from your local, trusted dealer. With trained service technicians, a diverse parts inventory and a broad selection of service options, your local dealer can help you lower costs, enhance productivity and more efficiently manage your business.

### FINANCING MADE SIMPLE

Financing your next Cat lift truck is easy with our wide range of flexible leasing and purchasing options. Whether you want to finance or lease, your local Cat lift truck dealer can help customize a package for your business.

### WHEN EVERY PART COUNTS

When buying from your local Cat lift truck dealer, you can rest assured that your genuine OEM parts are manufactured to meet original equipment criteria. Additionally, all Cat lift trucks OEM parts come with a six-month, unlimited-hours warranty.

When speed is critical, our Parts Fast Or Parts Free Guarantee\* ensures next-business-day delivery of all Cat lift trucks parts, or they're free, including freight. If your part doesn't come in by the next business day, we pay for it.

### STANDING BEHIND OUR PRODUCTS

We deliver peace of mind by helping your lift trucks stay on the job. Every new Cat lift truck is covered by a 1-year / 2,000-hours warranty that includes parts and labor, as well as components and systems. With our standard 2-year / 4,000-hours extended powertrain warranty, you'll have the confidence that only comes from owning a Cat lift truck.

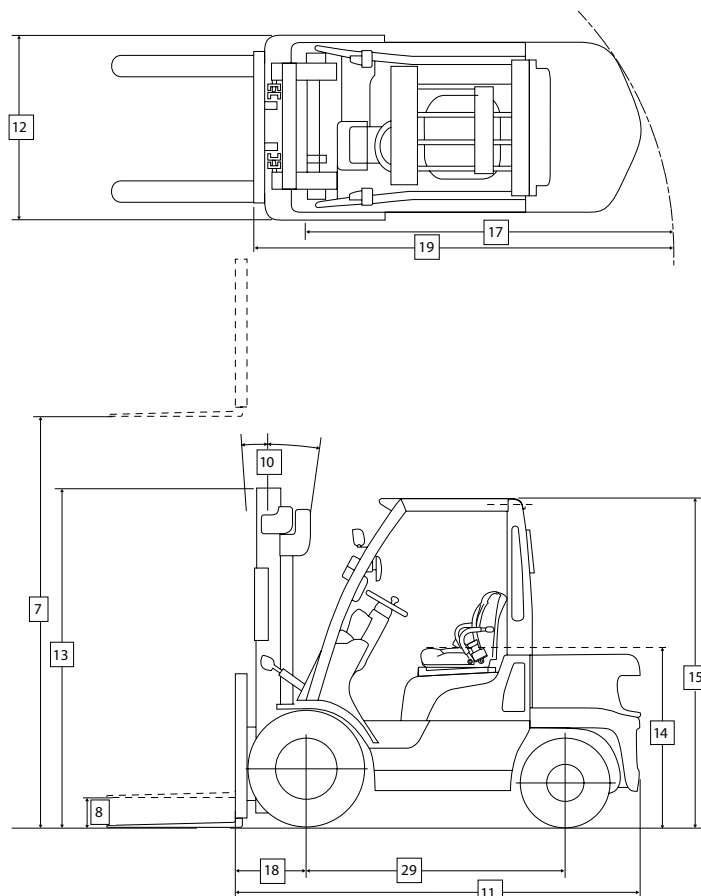
\* At dealer's location.

† Programs may be subject to change without notice and may vary by region.  
Please ask your local Cat lift truck dealer for complete terms and conditions.

Characteristics				2C7000		2C8000	
1	Capacity – at rated load center	lb	kg	7,000	3,150	8,000	3,650
2	Capacity – at load center-distance	in	mm	24	600	24	600
3	Power – diesel, gasoline, LP gas, electric			LP - G/LP		LP - G/LP	
4	Tire type – cushion or pneumatic			Cushion		Cushion	
5	Wheels (x = driven) – number front / rear			2x / 2		2x / 2	
Dimensions				2C7000		2C8000	
6	Lift – maximum fork height with rated load	in	mm	122	3,100	122	3,100
7	Lift with standard two-stage mast – maximum fork height	in	mm	171	4,350	171	4,350
8	Lift with standard two-stage mast – free fork height	in	mm	10.6	269	10.6	269
9	Forks – thickness x width x length	in	mm	2 x 5 x 42	50 x 125 x 1,070	2 x 5 x 42	50 x 125 x 1,070
	Fork spacing – out-to-out minimum / maximum	in	mm	11.1 / 38.9	282 / 987	11.1 / 38.9	282 / 987
10	Tilt – forward / backward	deg		5° / 10°		5° / 10°	
11	Length to fork face	in	mm	98.2	2,495	100	2,540
12	Width – with standard tires	in	mm	45.9	1,165	45.9	1,165
13	Height – mast lowered	in	mm	83.1	2,110	83.1	2,110
14	Height – seat height	in	mm	44.4	1,130	44.4	1,130
15	Height – top of overhead guard	in	mm	82.3	2,090	82.3	2,090
16	Height – mast extended	in	mm	178.7	4,540	178.7	4,540
17	Minimum outside turning radius	in	mm	82.5	2,095	83.9	2,130
18	Load moment constant	in	mm	179	455	179	455
19	Minimum aisle - 90° stack - zero clearance w/out load <sup>1</sup>	in	mm	100.4	2,550	101.8	2,585
Performance				2C7000		2C8000	
20	Travel speed loaded / empty	mph	km/h	11.5 / 11.5	18.5 / 18.5	11.5 / 11.5	18.5 / 18.5
21	Lift speed loaded / empty	fpm	mm/s	88.6 / 92.5	450 / 470	88.6 / 92.5	450 / 470
22	Lowering speed loaded / empty	fpm	mm/s	83 / 71	420 / 360	83 / 71	420 / 360
23	Drawbar pull – loaded maximum	lb	N	6,228	2,825	6,228	2,825
24	Gradeability – maximum (1.2 mph) loaded / empty	%		38 / 18		34 / 15	
Weight				2C7000		2C8000	
25	Empty – standard tires	lb	kg	10,460	4,740	11,150	5,055
26	Axle load – with load front / rear	lb	kg	15,365 / 7,250	2,095 / 990	16,910 / 7,320	2,960 / 1,335
	Axle load – without load front / rear	lb	kg	3,365 / 1,525	7,095 / 3,215	3,150 / 1,425	8,000 / 3,630
Chassis				2C7000		2C8000	
27	Tire size – front, standard	in		22 x 9 x 16		22 x 9 x 16	
28	Tire size – rear	in		18 x 6 x 12.12		18 x 6 x 12.12	
29	Wheelbase	in	mm	59.1	1,500	59.1	1,500
30	Tread width – front, standard tires	in	mm	37	940	37	940
31	Tread width – rear, standard tires	in	mm	36	930	36	930
32	Ground clearance – at lowest point of mast	in	mm	3.1	80	3.1	80
33	Ground clearance – at center of wheelbase	in	mm	5.7	145	5.7	145
34	Service brakes	type		drum / foot		drum / foot	
35	Parking brakes	type		hand / mechanical		hand / mechanical	
Powertrain				2C7000		2C8000	
36	Engine model			GK25		GK25	
37	Continuous output (S.A.E. gross)	HP	kW	62.9	46.9	62.9	46.9
		at rpm		2,700		2,700	
38	Maximum torque (S.A.E. gross)	lb-ft	Nm	138.7	188	138.7	188
		at rpm		1,600		1,600	
39	Cylinder / displacement	cu in	L	151.8	2,488	151.8	2,488
40	Transmission type			automatic		automatic	
41	Number of speeds forward / reverse			2 / 1		2 / 1	
42	Battery	volts		12		12	
Hydraulics				2C7000		2C8000	
43	Relief pressure – For attachments at auxiliary valve	psi	bar	2,625	181	2,625	181



**Call-out numbers shown in the diagram correspond to the first column of the specifications chart.**



## Safety Standards

These trucks meet American National Standards Institute/Industrial Truck Standards Development Foundation, ANSI/ITSDF B56.1.

UL-Classified by Underwriters Laboratories, Inc., as to fire and electric shock hazard only. Availability: Types G, LP and D standard. Types GS, LPS and DS optional. Users should be aware of, and adhere to, applicable codes and regulations regarding operator training, use, operation, and maintenance of powered industrial trucks, including:

- ANSI/ITSDF B56.1.
- NFPA 505, fire safety standard for powered industrial trucks — type designations, areas of use, maintenance and operation.
- Occupational Safety and Health Administration (OSHA) regulations that may apply.

Contact your Cat lift truck dealer for further information, including operator training programs and auxiliary visual and audible warning systems, fire extinguishers, etc., as available for specific user applications and requirements. Specifications, equipment, technical data, photos and illustrations based on information at time of printing and subject to change without notice. Some products may be shown with optional equipment.



**Your Cat lift truck dealer** can provide additional options and features to specialize your lift truck for your unique application. Operator training and custom financing programs are also available to help find the right fit for your business.

Helping move businesses forward – that's how we're built.

**1-800-CAT-LIFT | [www.logisnextamericas.com/cat](http://www.logisnextamericas.com/cat)**

© 2020 Mitsubishi Logisnext Americas Inc. CAT, CATERPILLAR, LET'S DO THE WORK, their respective logos, "Caterpillar Yellow," the "Power Edge," and Cat "Modern Hex" trade dress as well as corporate and product identity used herein, are trademarks of Caterpillar Inc., and may not be used without permission.

Some products may be shown with optional equipment.

CECT0302

12/20

